



3 - 7-1/2 HP Single or Three Phase Single and Two Stage Centrifugal Pumps



Submittal Data

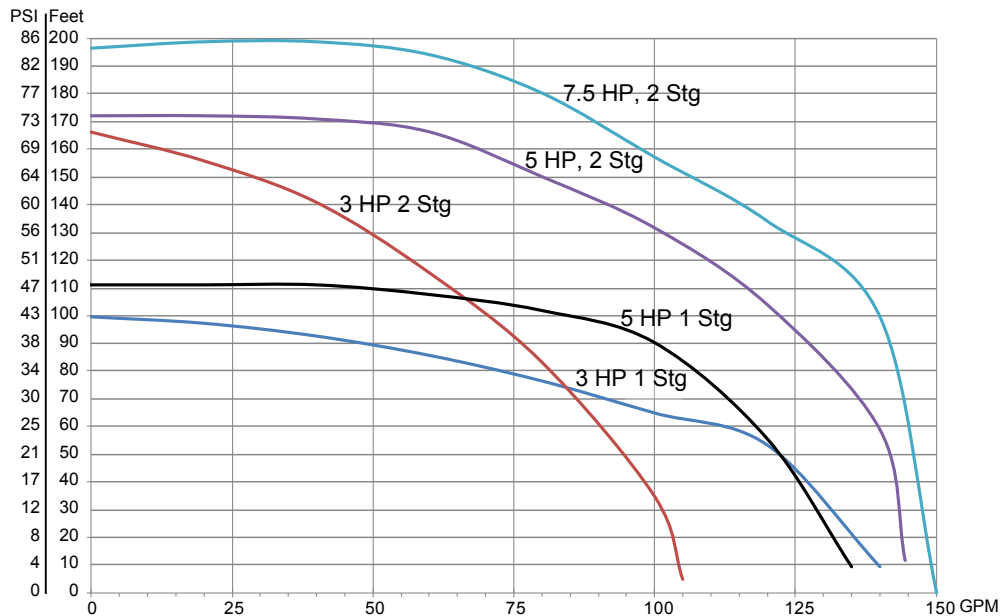
Job or Customer	
Engineer	
Contractor	
Submitted by	Date
Approved by	Date
Specification Reference	
Quote Date	Quote Number

Quantity	Model Number	System Discharge Pressure (PSI)	Flow (GPM)	System Inlet Pressure (PSI)	Volts	Phase	Comments

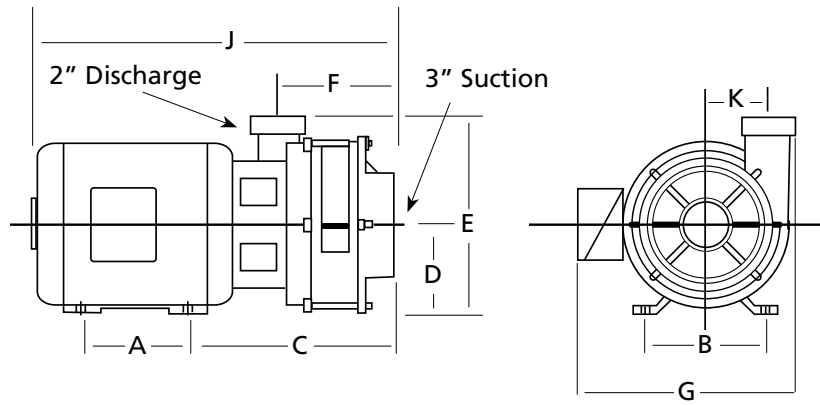
PERFORMANCE/SPECIFICATIONS

MODEL NUMBER		HP	STAGES	VOLTS	FULL LOAD AMPS	SERVICE FACTOR	AMPS	DISCHARGE PRESSURES (PSI)								MAX SUCTION LIFT (FT)	SUCT PIPE TAP (NPT)	DISCH PIPE TAP (NPT)
1 PHASE	3 PHASE							20	30	40	50	60	70	80				
C22131	C22133	3	1	230 1PH	15.0	16.8	-	125	90	42					15	3	2	
C22151	C22153	5	1	230 1PH	23.0	26.6	-	122	113	98					20	3	2	
C22231	C22233	3	2	208 230 460	8.4-8.0 4.0	9.0	4.5	95	86	75	60	40	12		20	3	2	
C22251	C22253	5	2	208 230 460	13.1-11.5 5.7	14.0	7.0	143	137	124	111	91	65		20	3	2	
--	C22273	7 1/2	2	208 230 460	19.0-18.0 9.0	21	10.5	145	140	138	135	121	95	75	20	3	2	

MOTOR VOLTAGE: 3HP 1 Phase 208-230V 60 Hz, 5HP 1 Phase 208-230V 60Hz, 3, 5 & 7.5HP 3 Phase 208-230/460V 60Hz.
120 PSI Maximum Case Pressure



DIMENSIONS in INCHES



IL1000

Model Number		HP	Motor Frame Size	A	B	C	D	E	F	G	J	K
1 Phase	3 Phase											
SINGLE STAGE 3500 RPM												
C22131	—	3	182JM	4.50	7.50	10.24	4.50	10.81	4.06	12.12	19.49	3.44
—	C22133	3	145JM	5.00	5.50	9.49	3.50	9.81	4.06	10.50	17.87	3.44
C22151	—	5	184JM	5.50	7.50	10.24	4.50	10.81	4.06	12.12	20.49	3.44
—	C22153	5	182JM	4.50	7.50	10.24	4.50	10.81	4.06	12.12	20.49	3.44
TWO STAGE 3500 RPM												
C22231	—	3	182JM	4.50	7.50	12.49	4.50	10.81	6.31	12.12	20.49	3.44
—	C22233	3	145JM	5.00	5.50	11.74	3.50	9.81	6.31	10.50	20.12	3.44
C22251	—	5	184JM	5.50	7.50	12.49	4.50	10.81	6.31	12.12	22.74	3.44
—	C22253	5	182JM	4.50	7.50	12.49	4.50	10.81	6.31	12.12	22.74	3.44
—	C22273	7-1/2	184JM	5.50	7.50	12.49	4.50	10.81	6.31	12.12	22.74	3.44

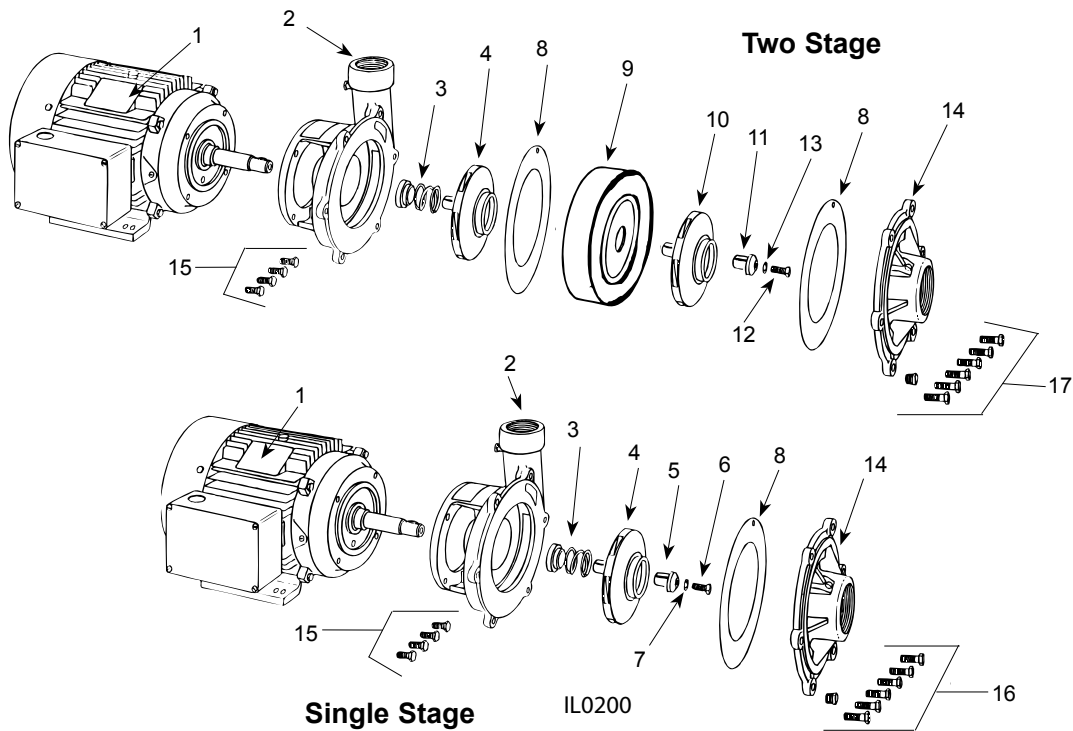
Dimensions shown above are approximate maximum dimensions for standard pumps equipped with open drip proof motors.

PUMP DATA

Maximum Case Pressure:	120
Max. Boost Range:	20 to 80 PSI
Maximum Water Temperature	200°F
Duty Cycle	Continuous
Pumping Medium	Water
Service/Repair Information	Pump and Motor Field Serviceable

CONSTRUCTION MATERIALS - PUMP

ITEM NO.	DESCRIPTION	MATERIALS
1	Motor - 1 Phase (Shell)	Paint Coated Steel
1	Motor - 3 Phase (Shell)	Paint Coated Steel
2	Mounting Ring	Cast Iron
3	Seal Assembly	Ceramic-Carbon/S.S. and Buna N
4	Impeller	Brass
5	Retainer, Impeller	Brass
6	Cap Screw, 1" Long	Plated Steel
7	Lock Washer 3/8" S.S.	Stainless Steel
8	Gasket	Lexide
9	Intermediate Stage w/Clearance Ring	Cast Iron
10	Impeller (Front)	Brass
11	Retainer, Impeller	Brass
12	Cap Screws 2-1/4" Long	Plated Steel
13	Lock Washer 3/8" S.S.	Stainless Steel
14	Suction Flange Assembly w/Clearance Ring	Cast Iron
15	Hex Hd. Cap Screws 3/8 x 1"	Plated Steel
16	Hex Hd. Cap Screws 3/8 x 1-1/4"	Plated Steel
17	Hex Hd. Cap Screws 3/8 x 3-1/4"	Plated Steel



Product may not be exactly as shown.