



Product information presented here reflects conditions at time of publication. Consult factory regarding discrepancies or inconsistencies.

**PUMP COMPANY**

Zoeller Family of Water Solutions™

MAIL TO: P.O. BOX 16347 • Louisville, KY 40256-0347  
 SHIP TO: 3649 Cane Run Road • Louisville, KY 40211-1961  
 (502) 778-2731 • 1 (800) 928-PUMP • FAX (502) 774-3624

visit our web site:  
[www.zoeller.com](http://www.zoeller.com)

## Simplex and Duplex Recommendation Checklist

Simplex	Duplex
<b>Automatic Single Phase Pump</b>	<b>Automatic Pump</b>
(1) Automatic Pump (1) Check Valve (See FM0217) (1) Simplex Basin (See FM0487) (1) High Water Alarm (Optional) (See FM0732)	(2) Automatic Pumps - <b>Single Phase ONLY (&lt; ½ HP)</b> (1) Residential Alternator (See FM1663) (2) Check Valves (See FM0217) (1) Duplex Basin (See FM0487)
<b>Nonautomatic Single Phase Pump</b>	<b>Nonautomatic Single Phase Pumps</b>
(1) Nonautomatic Pump (1) Piggyback Variable Level Float (See FM0411) (1) Check Valve (See FM0217) (1) Simplex Basin (See FM0487) (1) High Water Alarm (Optional) (See FM0732)	(2) Nonautomatic Pumps (1) Duplex Control Panel (See FM0712) (2) Check Valves (See FM0217) (1) Duplex Basin (See FM0487)
<b>Nonautomatic Three Phase Pump</b>	<b>Nonautomatic Three Phase Pumps</b>
(1) Nonautomatic Pump (1) Simplex Control Panel (See FM1228) (3) Variable Level Control Floats (See FM0526) (1) Check Valve (See FM0217) (1) Simplex Basin (See FM0487)	(2) Nonautomatic Pumps (1) Duplex Control Panel (See FM0712) (3) Variable Level Control Floats (See FM0526) (2) Check Valves (See FM0217) (1) Duplex Basin (See FM0487)

## Simplex and Duplex Basin Recommendations

Pump Series	Simplex	Duplex
50 & 90 Series	18" x 22"	30" x 36"
130 & 260 Series	18" x 30"	30" x 36"
160, 180, 140, 270, 280 & 290 Series	24" x 30" (Indoor) 24" x 48" (Outdoor)	36" x 36" (Indoor) 36" x 48" (Outdoor)
810, 815, 820, 840, 841 & 842 Series	24" x 36" (Indoor) 24" x 48" (Outdoor)	36" x 36" (Indoor) 36" x 48" (Outdoor)

**Note:** Recommendations for basins are based on nominal pump output. Check pump cycle time and system load for each installation. 15 second minimum run time is recommended.

Pump "ON" point **MUST** be set below gravity inlet to basin to prevent the system from backing up.

# “Extra Protection” Non-Alternating Two Pump System

The “Extra Protection” Two Pump System is an economical solution to the more costly duplex alternating pump system. The system consists of (2) pumps, (1) alarm system and (2) check valves.

The Two Pump System delivers more dependability than a single pump system and greatly reduces the chance of costly and time consuming problems associated with a pump failure.

The Two Pump System can be used with any combination of identical pumps whether they are automatic float controlled or piggyback variable level float controlled. The piggyback floats can be alternated in order to give both pumps the opportunity to be the “lead” pump.

We have conveniently listed the minimum basin sizes for the majority of our pump series on the front page. The Two Pump System will take advantage of the same basin sizes. We also recommend that a high water alarm be used in all applications. The model 10-1494 is designed for indoor applications while the 10-0623 is designed for outdoor applications (see FM0732).

A check valve in each discharge pipe must be installed in order to prevent the pumped material from cycling inside the basin (see FM0217).

**M Models- 115V, 1 Ph, 60 Hz pump with vertical operated float switch.**

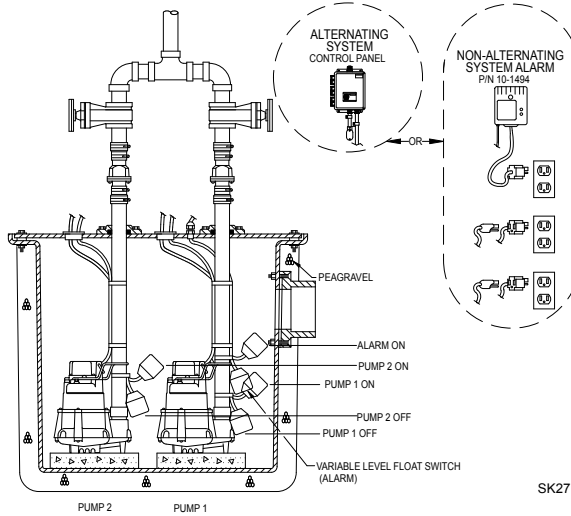
**D Models- 230V, 1 Ph, 60 Hz pump with vertical operated float switch.**

**BN Models- 115V, 1 Ph, 60 Hz pump with piggyback VLFS included.**

**BE Models- 230V, 1 Ph, 60 Hz pump with piggyback VLFS included.**



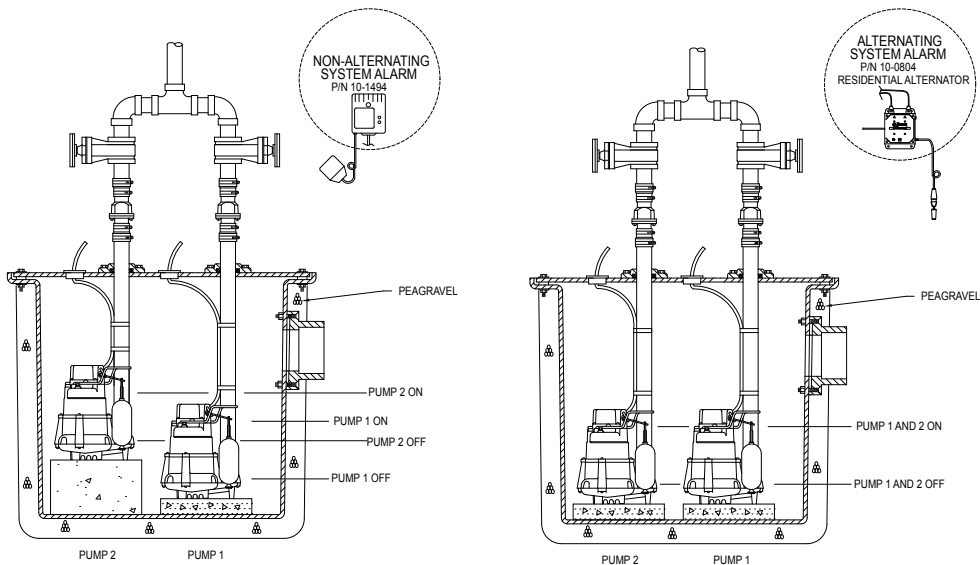
## BN & BE Pump Model System



Note: Lead and lag pump can be altered by switching pump power cord to opposite switch outlet.

SK2710

## M & D Pump Model System



NOTE: MINIMUM DISTANCE BETWEEN PUMP HEIGHTS IS 2"

SK2711