

Product information presented here reflects conditions at time of publication. Consult factory regarding discrepancies or inconsistencies.



PUMP COMPANY

Zoeller Family of Water Solutions™

TECHNICAL DATA SHEET SEWAGE WASTE SERIES

Models 611, 621, 631, 641, 651, 661 Submersible Sewage Pumps

PRODUCT SPECIFICATIONS

MOTOR	Horse Power	1 (611), 1-1/2 (621), 2 (631), 3 (641), 5 (651), 7-1/2 (661)
	Voltage	230, 200 - 575
	Phase	1, 3 Ph
	Hertz	60 Hz
	RPM	1750
	Type	Capacitor start capacitor run or 3 Ph
	Insulation	Class F
	Amps	1.6 - 28.0
	PUMP	Operation
Discharge Size		3" NPT (optional 3" or 4" flange available)
Solids Handling		2-1/2" (63 mm) spherical solids
Cord Length		25' (8 m) standard
Cord Type		UL listed 3-wire cord
Max. Head		65' (19.8 m)
Max. Flow Rate		600 GPM (2271 LPM)
Max. Operating Temp.		104° F (40° C)
Cooling		Oil filled
Motor Protection	Thermal sensors with automatic reset	

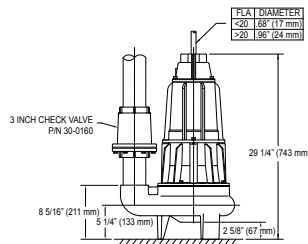
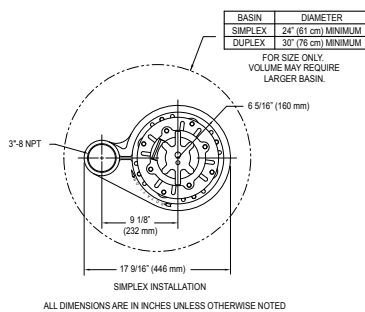
MATERIALS	Upper Bearing	Ball bearing
	Lower Bearing	Ball bearing
	Mechanical Seals	Tandem carbon and ceramic
	Impeller Type	Semi-open
	Impeller	Ductile iron
	Hardware	Stainless steel
	Motor Shaft	Stainless steel
	Gasket	Buna-N square ring seals

All Class 30 cast iron construction.

NOTE: See model comparison chart for specific details.

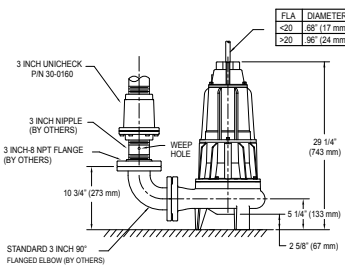
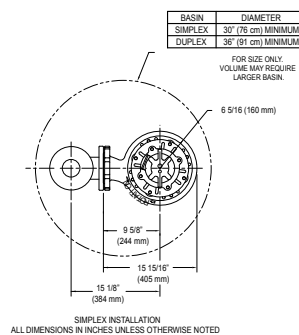


3" VERTICAL DISCHARGE



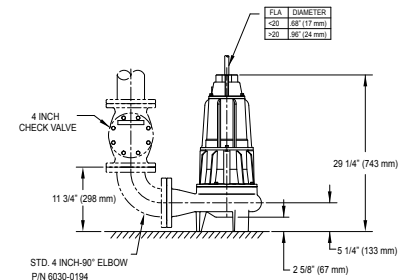
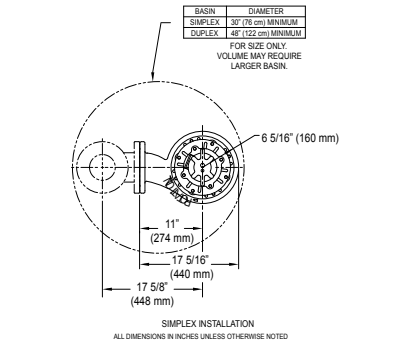
ZEPA0467

3" FLANGED DISCHARGE



ZEPA0470

4" HORIZONTAL DISCHARGE

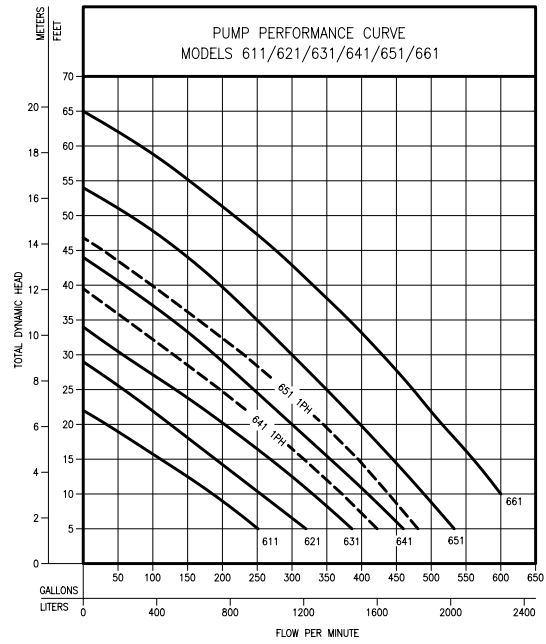


ZEPA0468

TOTAL DYNAMIC HEAD FLOW PER MINUTE

MODEL		611		621		631		641 (1PH)	
Feet	Meters	Gal.	Liters	Gal.	Liters	Gal.	Liters	Gal.	Liters
5	1.5	250	946	320	1211	390	1476	420	1590
10	3.0	185	700	255	965	335	1268	370	1401
15	4.6	110	416	190	719	272	1030	319	1208
20	6.1	35	132	125	473	200	757	260	984
25	7.6	---	---	60	227	130	492	198	750
30	9.1	---	---	---	---	55	208	130	492
35	10.7	---	---	---	---	---	---	62	235
40	12.2	---	---	---	---	---	---	---	---
45	13.7	---	---	---	---	---	---	---	---
50	15.2	---	---	---	---	---	---	---	---
55	16.7	---	---	---	---	---	---	---	---
60	18.2	---	---	---	---	---	---	---	---
Shut-off Head:		22 ft.(6.7m)		29 ft.(8.8m)		34 ft.(10.4m)		39.5 ft.(12.0m)	

MODEL		641		651 (1PH)		651		661	
Feet	Meters	Gal.	Liters	Gal.	Liters	Gal.	Liters	Gal.	Liters
5	1.5	460	1741	475	1798	533	2018	---	---
10	3.0	410	1552	440	1666	490	1855	600	2271
15	4.6	355	1344	395	1495	445	1685	560	2119
20	6.1	300	1136	345	1306	398	1507	515	1949
25	7.6	245	927	290	1098	350	1325	475	1798
30	9.1	190	719	232	878	300	1136	430	1627
35	10.7	130	492	165	625	250	946	380	1438
40	12.2	60	227	95	360	198	738	330	1249
45	13.7	---	---	25	95	140	530	275	1041
50	15.2	---	---	---	---	70	265	215	814
55	16.7	---	---	---	---	---	---	150	568
60	18.2	---	---	---	---	---	---	85	303
Shut-off Head:		44 ft.(13.4m)		46.5 ft.(14.2m)		54 ft.(16.5m)		65 ft.(19.8m)	



013859

Model	MODEL COMPARISON									
	Seal	Mode	Volts	Ph	Amps	HP	Hz	Lbs	Kg	
*E611	Double	Non	230	1	6.9	1	60	245	111	
J611	Double	Non	200	3	4.3	1	60	245	111	
F611	Double	Non	230	3	3.7	1	60	245	111	
G611	Double	Non	460	3	1.9	1	60	245	111	
BA611	Double	Non	575	3	1.6	1	60	245	111	
*E621	Double	Non	230	1	8.9	1-1/2	60	245	111	
J621	Double	Non	200	3	5.9	1-1/2	60	245	111	
F621	Double	Non	230	3	5.1	1-1/2	60	245	111	
G621	Double	Non	460	3	2.6	1-1/2	60	245	111	
BA621	Double	Non	575	3	2.0	1-1/2	60	245	111	
*E631	Double	Non	230	1	14.5	2	60	245	111	
J631	Double	Non	200	3	7.8	2	60	245	111	
F631	Double	Non	230	3	6.8	2	60	245	111	
G631	Double	Non	460	3	3.4	2	60	245	111	
BA631	Double	Non	575	3	2.7	2	60	245	111	
*E641	Double	Non	230	1	17.0	3	60	245	111	
J641	Double	Non	200	3	11.0	3	60	245	111	
F641	Double	Non	230	3	9.6	3	60	245	111	
G641	Double	Non	460	3	4.8	3	60	245	111	
BA641	Double	Non	575	3	3.9	3	60	245	111	
*E651	Double	Non	230	1	28.0	5	60	245	111	
J651	Double	Non	200	3	17.5	5	60	245	111	
F651	Double	Non	230	3	15.2	5	60	245	111	
G651	Double	Non	460	3	7.6	5	60	245	111	
BA651	Double	Non	575	3	6.1	5	60	245	111	
J661	Double	Non	200	3	25.3	7-1/2	60	245	111	
F661	Double	Non	230	3	22.0	7-1/2	60	245	111	
G661	Double	Non	460	3	11.0	7-1/2	60	245	111	
BA661	Double	Non	575	3	9.0	7-1/2	60	245	111	

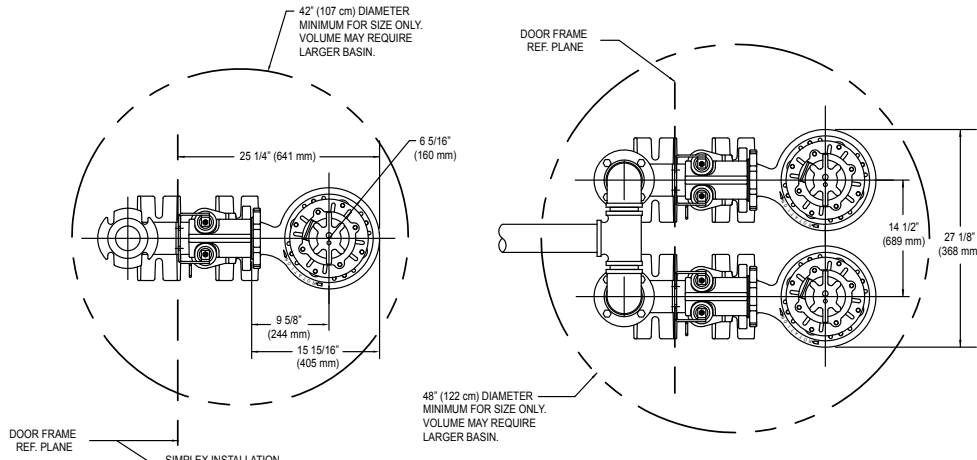
* All single phase units require external starting capacitor and relay circuits. Additional cord lengths are available in 35' (11 m) and 50' (15 m).



All installation of controls, protection devices and wiring should be done by a qualified licensed electrician. All electrical and safety codes should be followed including the most recent National Electrical Code (NEC) and the Occupational Safety and Health Act (OSHA).

RAIL SYSTEM DIMENSIONAL DATA

3" HORIZONTAL 39-0094

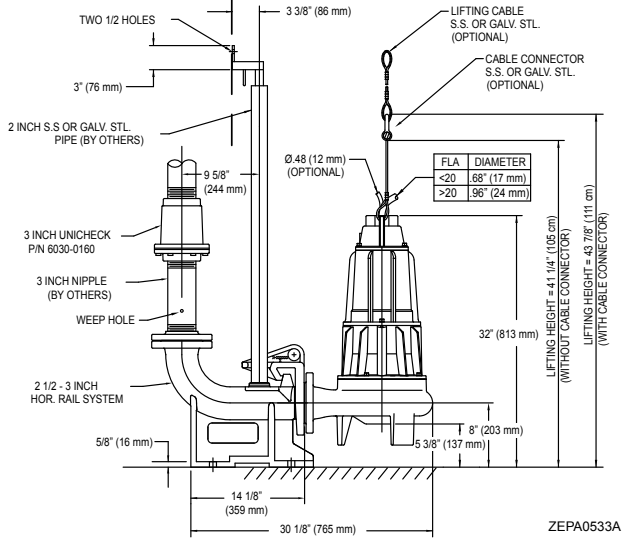


DUPLEX INSTALLATION
DIMENSIONS BASED ON STD. ANSI FITTING SIZES
CHECK VALVES REQUIRED, NOT SHOWN FOR CLARITY
ALL DIMENSIONS IN INCHES UNLESS OTHERWISE NOTED

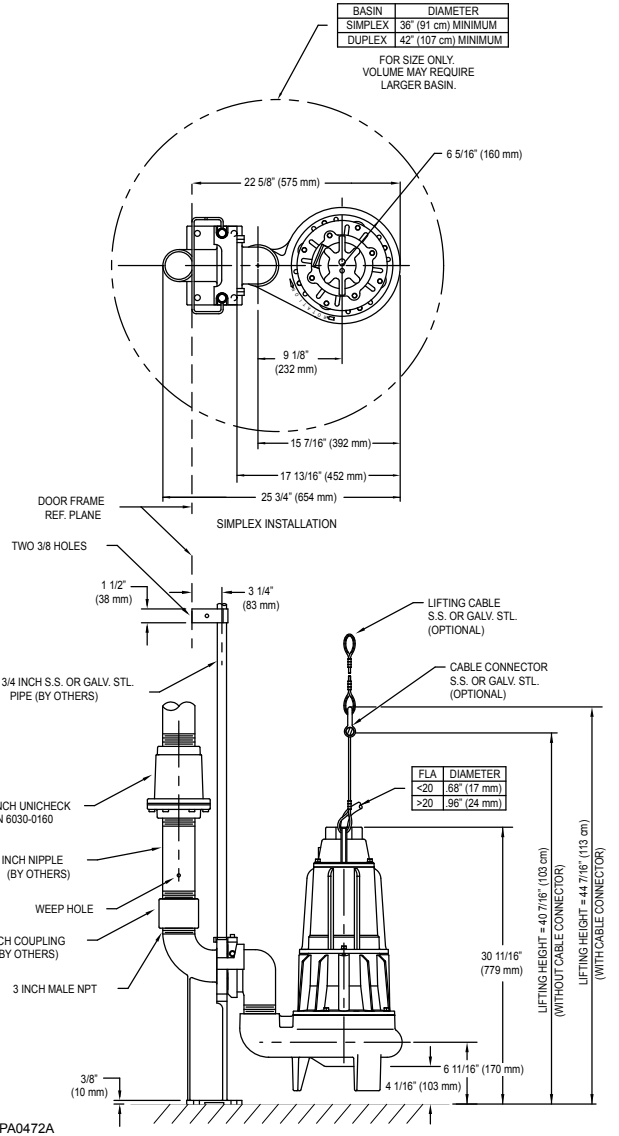
3" VERTICAL 39-0074 & 39-0075

BASIN	DIAMETER
SIMPLEX	36" (91 cm) MINIMUM
DUPLEX	42" (107 cm) MINIMUM

FOR SIZE ONLY
VOLUME MAY REQUIRE
LARGER BASIN.



ZEPA0533A



ZEPA0472A

RAIL SYSTEM DIMENSIONAL DATA, continued

4" HORIZONTAL 39-0016

