

Product information presented here reflects conditions at time of publication. Consult factory regarding discrepancies or inconsistencies.

PUMP COMPANY

Zoeller Family of Water Solutions™

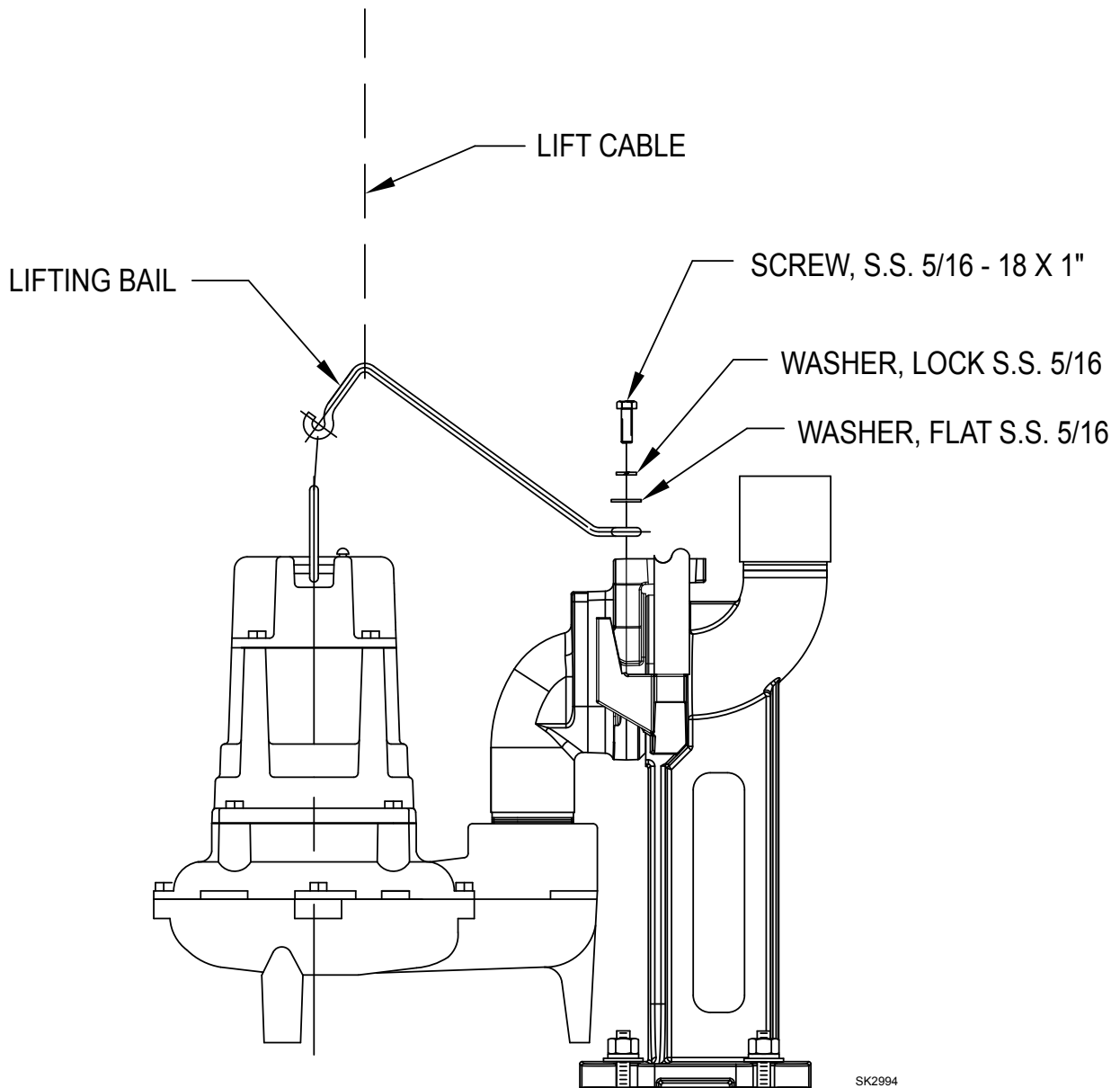
MAIL TO: P.O. BOX 16347 • Louisville, KY 40256-0347
SHIP TO: 3649 Cane Run Road • Louisville, KY 40211-1961
(502) 778-2731 • 1 (800) 928-PUMP • FAX (502) 774-3624

visit our web site:
www.zoeller.com



Z-RAIL® LIFTING BAIL BRACKET INSTALLATION DATA

FOR P/N 10-2316, 10-3560, 10-3561, 10-3829



SK2994

- P/N 10-2316: 130, 260, 270 Series
- P/N 10-3560: 50, 90, 150 Series
- P/N 10-3561: 140 Series
- P/N 10-3829: 803, 805, 807 Series