

Product information presented here reflects conditions at time of publication. Consult factory regarding discrepancies or inconsistencies.



PUMP COMPANY

Zoeller Family of Water Solutions™

MAIL TO: P.O. BOX 16347 • Louisville, KY 40256-0347
 SHIP TO: 3649 Cane Run Road • Louisville, KY 40211-1961
 (502) 778-2731 • 1 (800) 928-PUMP • FAX (502) 774-3624

visit our web site:
www.zoeller.com

FM2204
 0504
 Supersedes
 0304



X600 HAZARDOUS ENVIRONMENT SERIES
SPECIFICATION SHEET
CLASS 1, DIVISION 1, GROUP C & D
1 - 7½ HP / 1750 RPM
3" VERTICAL DISCHARGE UNITS



APPLICATIONS

- Pumping Station.
- Storm Water Removal.
- All Wastewater Removal.
- Industrial Waste.
- Warning: Not for use in acidic atmospheres.



SPECIFICATIONS

PUMP:

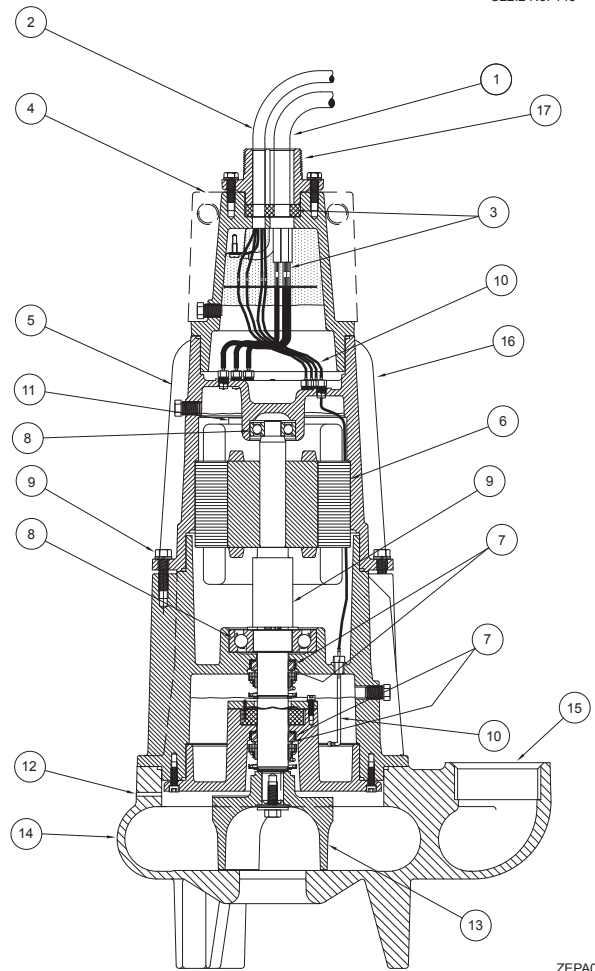
- Solids - 2½" spherical capability.
- Discharge Size - 3" NPT vertical.
- Seals - dual mechanical carbon/rotary, ceramic/stationary, buna-n elastomers.
- Seal leak probes.
- Construction - Cast Iron ASTM A-48, Class 30, 30,000# tensile strength, protected with a 2-part corrosion resistant powder coated epoxy finish.
- Attaching Hardware - 304 stainless steel.
- "O" Ring Elastomers - Buna-N.
- Impeller - 2 blade semi-open with top pump out vanes.
- Optional: 50' Power and Sensor Cables.
 Non-sparking Rail Systems.

MOTOR:

- FM and cCSAus rated Class 1, Division 1, Group C & D construction.
- 1 Phase - 230 Volt, 1725 RPM.
- 3 Phase - 200/230/460/575 Volt, 1725 RPM.
- 1 thru 7½ BHP.
- Stator - Class F insulation and lead wires. Nema B design.
- Thermal sensor.
- Oil-filled motor housing.
- Ball Bearings - Dual high carbon chromium steel.
- Power and Sensor Cable Length - 25'.

STANDARD FEATURES:

1. 25' of heavy duty power cord.
2. 25' of heavy duty sensor cord.
3. Specially designed splices and potted cord entry system provides strain relief and prevents wicking of liquids into the housing.
4. Lifting lug integral part of housing (orientation 90° from illustrated view).
5. Finned oil-filled explosion proof rated motor housing assures uniform heat distribution, lubricates bearings, and conducts heat for cooler running.
6. Heavy duty explosion proof rated motor features ball bearing construction. Class F motor insulation is double dipped and baked. End connections and lead wires are Class F. At maximum load, winding temperature will not exceed 250°F with motor housing not submerged.
7. Tandem seals. Carbon/rotating, ceramic/stationary, buna-n elastomers.
8. Upper and lower high carbon chromium steel ball bearings.
9. Stainless steel shaft and hardware resists corrosion.
10. Seal leak probes detect lower seal failure.



11. Thermal sensor will deactivate pump if internal motor temperature reaches 250°F.
12. Vent hole helps prevent air locking.
13. Balanced Ductile Iron 2 vane semi-open impeller with top pump out vanes for seal protection. Keyed and bolted to shaft.
14. Concentric volute reduces radial loading for longer bearing and seal life.
15. 3" NPT vertical discharge.
16. Entire unit protected with a corrosion resistant powder coated epoxy finish.

For information on additional Zoeller products refer to catalog on Variable Control Switches, FM0526; Control Panels, FM1705; Sump/Sewage Basins, FM0487; Non-Sparking Rail Systems, FM0787.

X600 SERIES HAZARDOUS ENVIRONMENT SERIES

SPECIFICATION SHEET

CLASS 1, DIVISION 1, GROUP C & D

1 - 7½ HP / 1750 RPM

3" & 4" FLANGED HORIZONTAL DISCHARGE UNITS



APPLICATIONS

- Pumping Station.
- Storm Water Removal.
- All Wastewater Removal.
- Industrial Waste.
- Warning: Not for use in acidic atmospheres.

SPECIFICATIONS

PUMP:

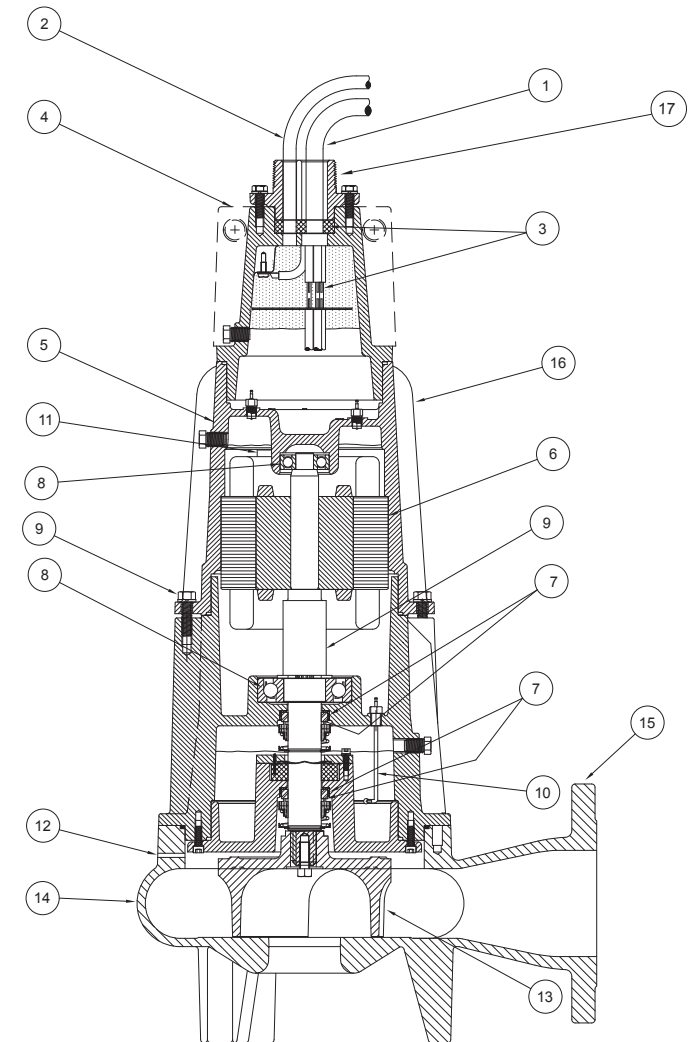
- Solids - 2½" spherical capability.
- Discharge Size - 3" or 4" horizontal flanged.
- Seals - dual mechanical carbon/rotary, ceramic/stationary, buna-n elastomers.
- Seal leak probes.
- Construction - Cast Iron ASTM A-48, Class 30, 30,000# tensile strength, protected with a 2-part corrosion resistant powder coated epoxy finish.
- Attaching Hardware - 304 stainless steel.
- "O" Ring Elastomers - Buna-N.
- Impeller - 2 blade semi-open with top pump out vanes.
- Optional: 50' Power and Sensor Cables.
 Non-sparking rail systems.

MOTOR:

- FM and cSAUs rated Class 1, Division 1, Group C & D construction.
- 1 Phase - 230 Volt, 1725 RPM.
- 3 Phase - 200/230/460/575 Volt, 1725 RPM.
- 1 thru 7½ BHP.
- Stator - Class F insulation and lead wires.
Nema B design.
- Thermal sensor.
- Oil-filled motor housing.
- Ball Bearings - Dual high carbon chromium steel.
- Power and Sensor Cable Length - 25'.

STANDARD FEATURES:

1. 25' of heavy duty power cord.
2. 25' of heavy duty sensor cord.
3. Specially designed splices and potted cord entry system provides strain relief and prevents wicking of liquids into the housing.
4. Lifting lug integral part of housing (orientation 90° from illustrated view).
5. Finned oil-filled heat explosion proof rated motor housing assures uniform heat distribution, lubricates bearings, and conducts heat for cooler running.
6. Heavy duty explosion proof rated motor features ball bearing construction. Class F motor insulation is double dipped and baked. End connections and lead wires are Class F. At maximum load, winding temperature will not exceed 250°F with motor housing not submerged.
7. Tandem seals. Carbon/rotating, ceramic/stationary, buna-n elastomers.
8. Upper and lower high carbon chromium steel ball bearings.
9. Stainless steel shaft and hardware resists corrosion.
10. Seal leak probes detect lower seal failure.
11. Thermal sensor will deactivate pump if internal motor temperature reaches 250°F.



ZEPA0558

12. Vent hole helps prevent air locking.
13. Balanced Ductile Iron 2 vane semi-open impeller with top pump out vanes for seal protection. Keyed and bolted to shaft.
14. Concentric volute reduces radial loading for longer bearing and seal life.
15. 3" or 4" flanged horizontal discharge available.
16. Entire unit protected with a corrosion resistant powder coated epoxy finish.

For information on additional Zoeller products refer to catalog on Variable Control Switches, FM0526; Control Panels, FM1705; Sump/Sewage Basins, FM0487; Non-Sparking Rail Systems, FM0787.