

Product information presented here reflects conditions at time of publication. Consult factory regarding discrepancies or inconsistencies.

PUMP COMPANY

Zoeller Family of Water Solutions™

50Hz

MAIL TO: P.O. BOX 16347 • Louisville, KY 40256-0347 USA
 SHIP TO: 3649 Cane Run Road • Louisville, KY 40211-1961 USA
 +1 (502) 778-2731 • 1-800-928-7867 • FAX +1 (502) 774-3624

visit our web site:
www.zoeller.com

REPLACEMENT PARTS LIST FOR MODELS:

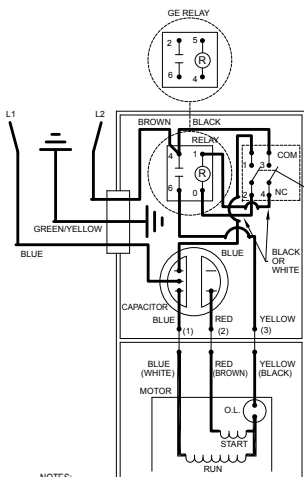
U163 AUTOMATIC 220V / 50 Hz
V163 NONAUTOMATIC 220V / 50 Hz

Consult factory for all other models.

TO ORDER REPLACEMENT PARTS:

PLEASE FURNISH THE
 FOLLOWING INFORMATION:

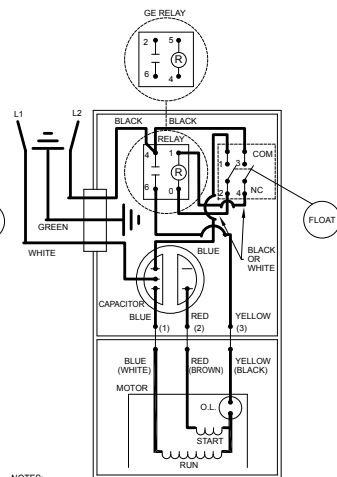
- Model Number
- Part Number of Pump
- Part Number and Description of Part



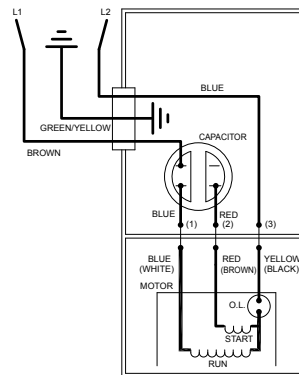
NOTES:
 INSULATORS REQUIRED ON GE RELAY TERMINALS 2 & 5;
 OMRON RELAY TERMINALS 1 & 4.

004622

WIRING DIAGRAM FOR MODELS
 "U163-A"
 10/98 thru Current

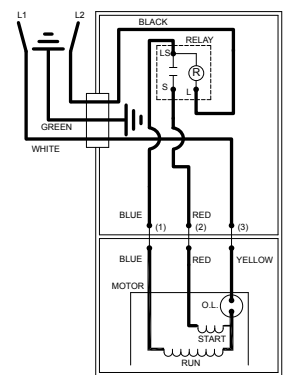


NOTES:
 INSULATORS REQUIRED ON GE RELAY TERMINALS 2 & 5;
 OMRON RELAY TERMINALS 1 & 4.



002397

WIRING DIAGRAM FOR MODELS
 "V163-A"
 2/98 thru Current



REPLACEMENT PARTS LIST FOR MODELS "U163"

See page 4 for "U163" illustration.

REF. NO.	DESCRIPTION	QTY	NOTES	MODELS:			
				U163-A & B	U163-C	U163-D	U163-E
				2/98 thru 11/09	12/09 thru 1/16	2/16 thru 9/16	10/16 thru Current
1	Case, Sw. & Cord (SOW - 6 m [20'] length - no plug)	1	2, 3	005383	005383	005383	005383
	Case, Sw. & Cord (10 m [33'] length - BS 1363/A; UK plug)			151264	151264	151264	151264
	Case, Sw. & Cord (4 m [15'] length - CEE 7/7; E/F plug)			152025	152025	152025	152025
	Case, Sw. & Cord (4 m [15'] length - AS/NZS 3112; I plug)			152024	152024	152024	152024
2	• Handle	1		217069	217069	217069	217069
3	Cord, Term & Seal (SOW - 6 m [20'] length)	1	3	005384	005384	005384	005384
	Cord, Term & Seal (10 m [33'] length - BS 1363/A; UK plug)			151262	151262	151262	151262
	Cord, Term & Seal (4 m [15'] length - CEE 7/7; E/F plug)			152017	152017	152017	152017
	Cord, Term & Seal (4 m [15'] length - AS/NZS 3112; I plug)			152015	152015	152015	152015
4	Clamp, Strain Relief (cord, SOW)	1	3	001770	001770	001770	001770
	Clamp, Strain Relief			004200	004200	004200	004200
5	• Seal, Cord-Assembly & Strain Relief	1	3	094032	094032	094032	094032
6	Case-Mach	1	2, 3	004614	004614	004614	004614
	Case-Mach CE pump			152043	152043	152043	152043
7	• Guard	1		001023	001023	001023	001023
8	• Arm & Seal Assembly "160/180/290"	1	2	004745	004745	004745	004745
9	• Gasket, Case/Cover	1		001011	001011	001011	001011
10	Switch Asm "160/180/290"	1	2	004744	004744	004744	004744
11	• Wire Pkg (5) Wires	1		004749	004749	004749	004749
12	Capacitor & Clamp Assembly 30UF	1		002381	002381	002381	002381
13	Relay	1		217093	217093	153833	153833
14	Float, Plastic	1		094039	094039	094039	094039
15	Guide Asm, Float Rod	1		001072	001072	001072	001072
16	Rod Asm, Float	1		003083	150439	150439	150439
17	Housing, Motor & Str 1Ph 163	1	1	002504	150582	150582	150582
18	Bearing, Upper Sleeve	1		001012	NA	NA	NA
	• Bearing, Upper Ball			NA	006703	006703	006703
19	• Plug, Test-White	2		034090	034090	034090	034090
20	• Seal, Thru Wall Term	3		003402	003402	003402	003402
21	Rotor & Brg	1		002691	150575	150575	150575
22	• Bearing, Radial	1		001013	010069	010069	010069
23	• Seal, Motor Housing	1		001014	001014	001014	001014
24	• Oil, Dielectric	1		003168	011066	011066	011066
25	Adapter-Mach 163/165/293	1		001003	001003	001003	001003
26	• Seal, Shaft	1		002430	002430	002430	002430
	Flange Pkg 2" NPT			10-1305	10-1305	10-1305	10-1305
27	Flange Pkg 3" NPT	1		10-1306	10-1306	10-1306	10-1306
	Impeller "163" Bronze			004173	004173	004173	154006
28	Impeller "163" Cast iron	1		NA	NA	NA	154001
	Housing, Pump-Mach 163/165			004214	004214	004214	004214
29	Strainer Plate	1		137008	137008	137008	137008
30	• Screw, .25 - 20 x .75 HHm - SS	4		001916	001916	001916	001916
31	• Screw, .313 - 18 x 1 HH cap - SS	4		002608	002608	002608	002608
32	• Screw, #10 - 24 x .375 RHM - SI SS	2		001883	001883	001883	001883
33	• Screw, #6 - 32 x .438 Rhsstp Stizi	2		004644	004644	004644	004644
34	• Screw, #10 - 24 x .375 HH - Si Tc .688 Washer	2		002000	002000	002000	002000
35	• Washer - SS 1.25 Od x .562 Id x .078	2		002115	002115	002115	002115
36	• Screw, .5 - 13 x 2 HH Cap - SS	2		001909	001909	001909	001909
37	• Screw, #6 - 32 x .25 RHM SI Tc Stlgr	5		001877	001877	001877	001877
38	• Screw, .25 - 20 x 1 HHm - SS	4		007790	007790	007790	007790
39	• Rebuild Kit			152036	152037	152037	152037

• Items included in Rebuild Kit.

□ Not shown in illustration.

NOTES:

- 1) Mtr. Hsg., Brg., Stator & Term. (Item 17) as preassembled at the factory and must be replaced as a unit. Stator is permanently attached to the Motor Housing. Plug (Item 19); Seal Thru Wall Term. (Item 20) and Bearing - Upper (Item 18) are replaceable.
- 2) If an "X" follows Model No., or Date Mfg. on ID tag, consult factory for ordering of this part.
- 3) See FM2682 Price Sheet for listing of parts prices.
- 4) "NA" indicates, not applicable.

REPLACEMENT PARTS LIST FOR MODELS "V163"

See page 4 for "V163" illustration.

REF. NO.	DESCRIPTION	QTY	NOTES	MODELS: V163-A		
				V163-B	V163-C	V163-C
				10/98 thru 11/09	12/09 thru 9/16	10/16 thru Current
1	• Handle	1		217069	217069	217069
2	Cover & Cord (6 m [20'] length - no plug)	1	2	013883	013883	013883
	Case, & Cord (10 m [33'] length - BS 1363/A; UK plug)			151265	151265	151265
	Case, & Cord (10 m [33'] length - CEE 7/7; E/F plug)			152027	152027	152027
	Case, Cord (4 m [15'] length - AS/NZS 3112; I plug)			152026	152026	152026
3	Cord, Term & Seal (SOW - 6 m [20'] length)	1	2	005385	005385	005385
	Cord, Term & Seal (10 m [33'] length - BS 1363/A; UK plug)			151263	151263	151263
	Cord, Term & Seal (10 m [33'] length - CEE 7/7; E/F plug)			152018	152018	152018
	Cord, Term & Seal (4 m [15'] length - AS/NZS 3112; I plug)			152016	152016	152016
4	Clamp, Strain Relief (cord, SOW)	1	2	001770	001770	001770
	Clamp, Strain Relief			004200	004200	004200
5	• Seal, Cord-Assembly & Strain Relief	1	2	094032	094032	094032
6	Cover-Mach	1		001077	001077	001077
	Cover-Mach CE pump			152044	152044	152044
7	• Gasket, Case/Cover	1		001011	001011	001011
8	• Wire Pkg (2) Wires	1		004756	004756	004756
9	Capacitor & Clamp Asm	1		002381	002381	002381
10	Housing, Motor-& Str	1	1, 5	002504	150582	150582
11	Bearing, Upper Sleeve	1		001012	NA	NA
	• Bearing, Radial			NA	006703	006703
12	• Plug, Test-White	2		034090	034090	034090
13	• Seal Thru Wall Term	3		003402	003402	003402
14	Rotor & Brg	1	5	002691	150575	150575
15	• Bearing, Radial	1		001013	010069	010069
16	• Seal, Motor Hsg	1		001014	001014	001014
17	• Oil, Dielectric	1		003168	011066	011066
18	Adapter-Mach	1		001003	001003	001003
19	• Seal, Shaft	1		002430	002430	002430
20	Flange Pkg 2" NPT	1		10-1305	10-1305	10-1305
	Flange Pkg 3" NPT			10-1306	10-1306	10-1306
21	Impeller "163" Bronze	1		004173	004173	154006
	Impeller "163" Cast iron	1		NA	NA	154001
22	Housing, Pump-Mach 163/165	1		004214	004214	004214
23	Strainer Plate	1		137008	137008	137008
24	• Screw, .25 - 20 x .75 HHm-SS	4		001916	001916	001916
25	• Screw, .313 - 18 x 1" HH Cap-SS	4		002608	002608	002608
26	• Screw, #10 - 24 x .375 RHM-SI SS	2		001883	001883	001883
27	• Sem, 10 - 24 x .375 HH-SI Tc.688 Washer	2		002000	002000	002000
28	• Screw, .5 - 13 X 2 HH Cap-SS	2		001909	001909	001909
29	Washer, SS - 1.25" Odx. .562" Idx. 078	2		002115	002115	002115
30	• Screw, #6 - 32 x .25 RHM SI Tc Stlgr	4		001877	001877	001877
31	• Screw, .25 - 20 x 1" HHm-SS	4		007790	007790	007790
▣	Rebuild Kit "160/185/293"			152038	152039	152039

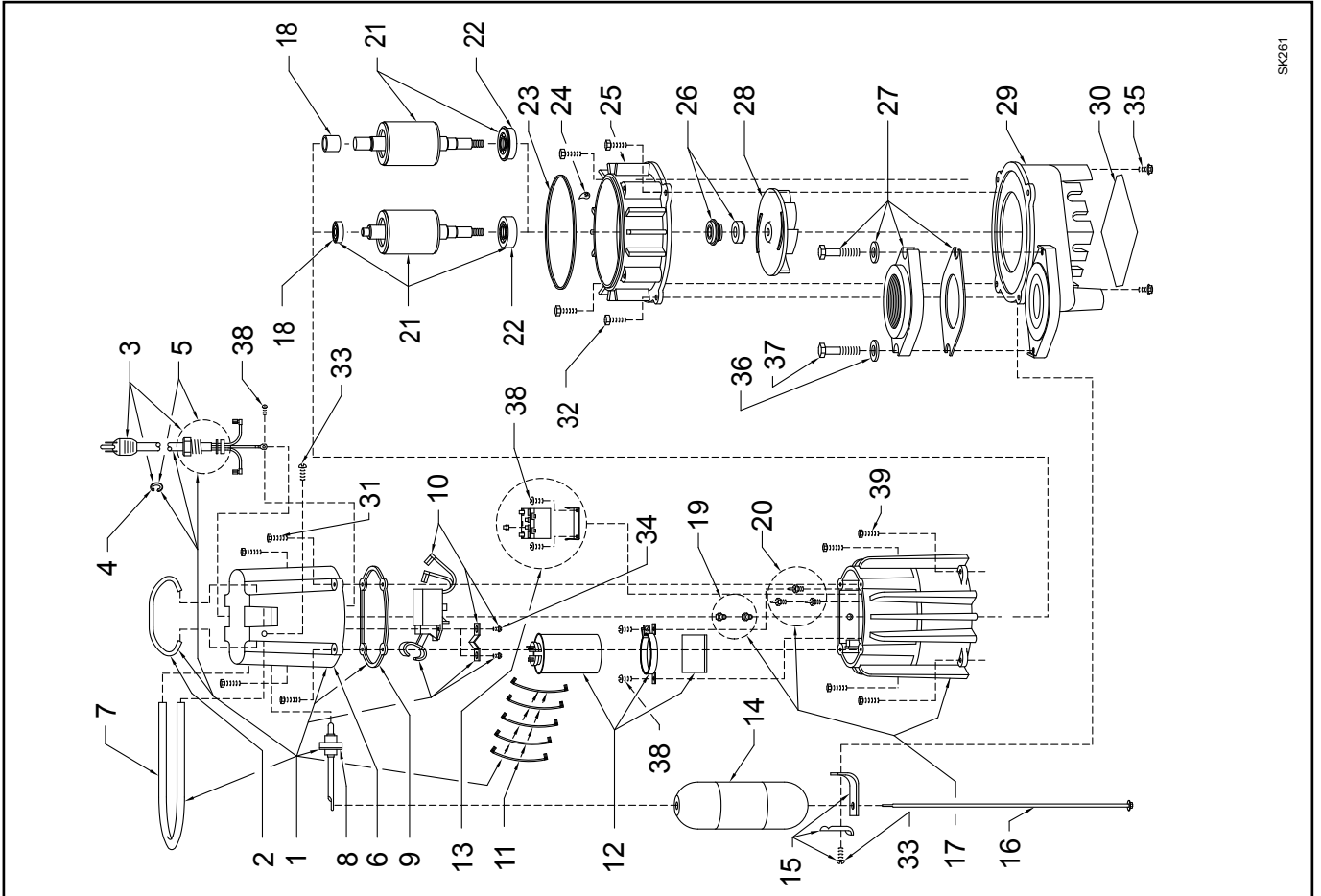
• Items included in Rebuild Kit.

▣ Not shown in illustration.

NOTES:

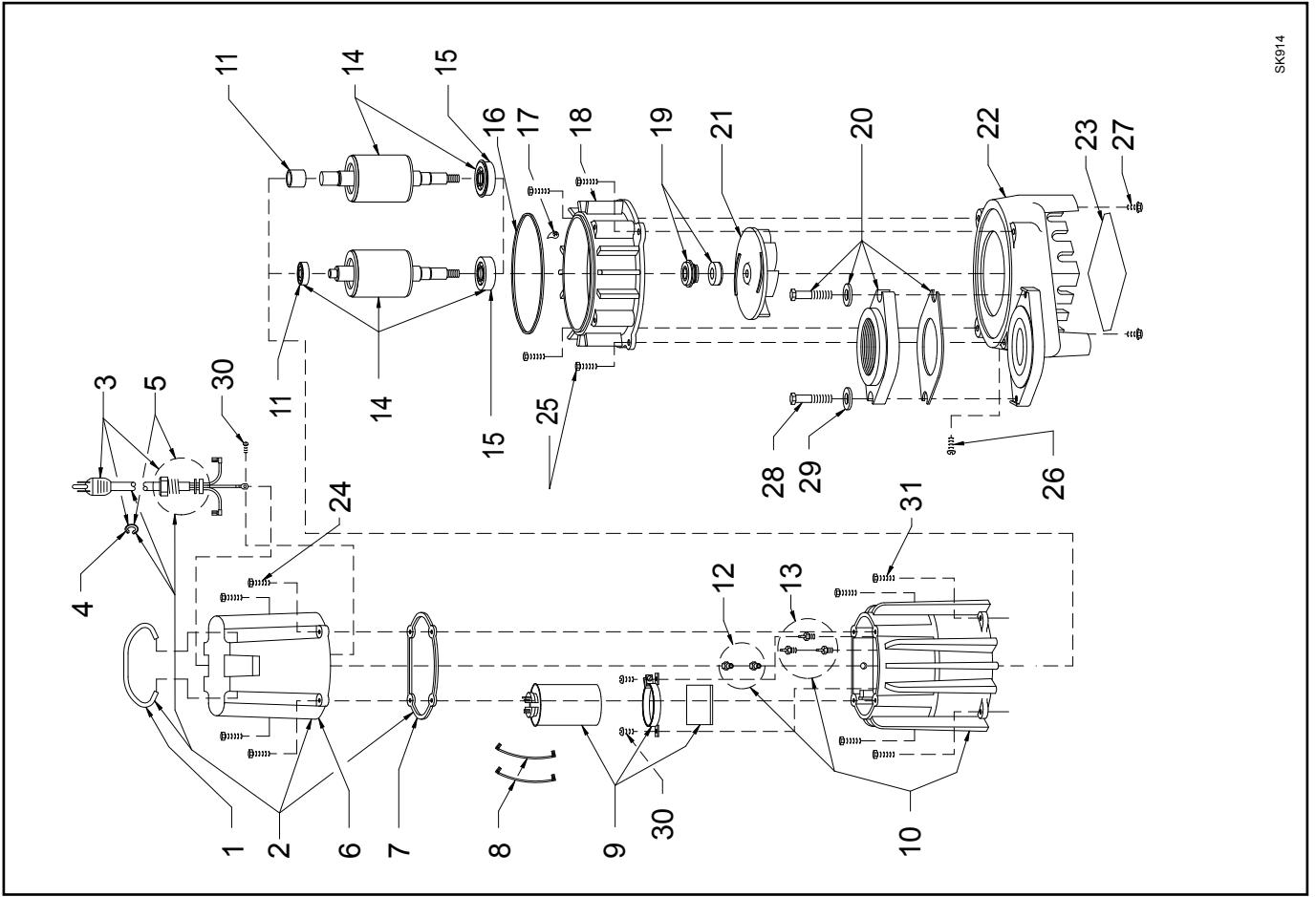
- 1) Mtr. Hsg., Brg., Stator & Term. (Item 17) as preassembled at the factory and must be replaced as a unit. Stator is permanently attached to the Motor Housing. Plug (Item 19); Seal Thru Wall Term. (Item 20) and Bearing - Upper (Item 18) are replaceable.
- 2) If an "X" follows Model No., or Date Mfg. on ID tag, consult factory for ordering of this part.
- 3) See FM2682 Price Sheet for listing of parts prices.
- 4) "NA" indicates, not applicable.

REPLACEMENT PARTS ILLUSTRATION FOR MODEL "U163"



SK261

REPLACEMENT PARTS ILLUSTRATION FOR MODEL "V163"



SK914