

Product information presented here reflects conditions at time of publication. Consult factory regarding discrepancies or inconsistencies.

visit our web site:
www.zoeller.com

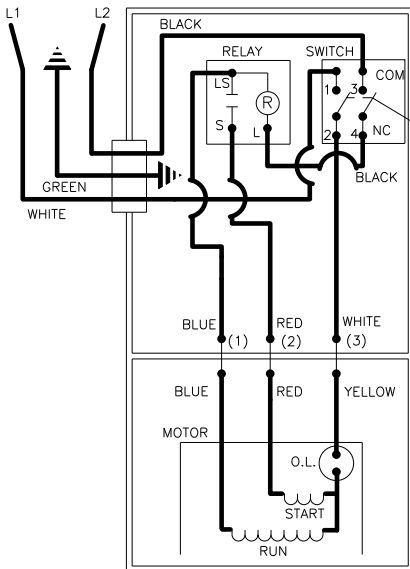
REPLACEMENT PARTS LIST FOR MODELS:

H266 AUTOMATIC 200V/1PH
I266 NONAUTOMATIC 200V/1PH
J266 NONAUTOMATIC 200V/3PH
F266 NONAUTOMATIC 230V/3PH
G266 NONAUTOMATIC 460V/3PH

Consult factory for all other models

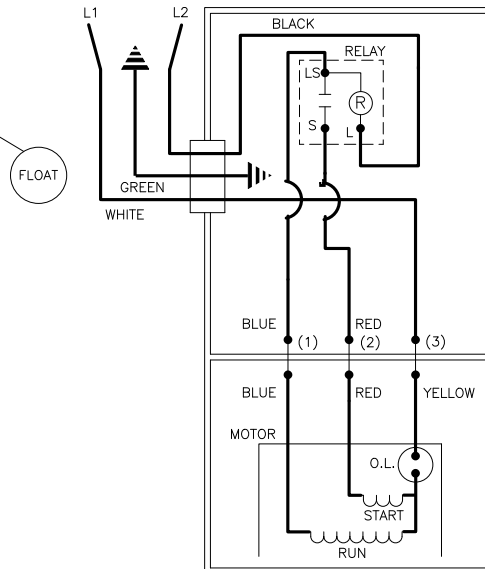
TO ORDER REPLACEMENT PARTS:
 PLEASE FURNISH THE FOLLOWING INFORMATION:

- Model Number.
- Part Number of Pump.
- Part Number and Description of part.



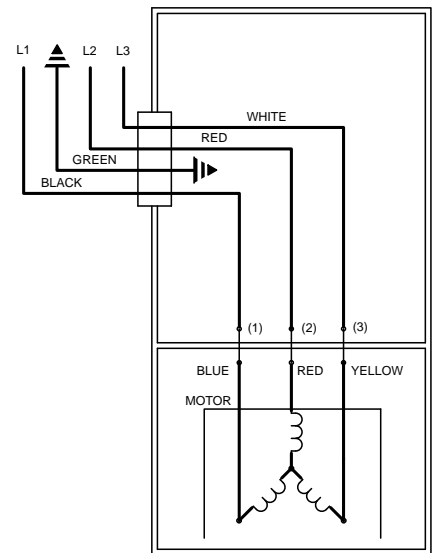
004620

WIRING DIAGRAM FOR MODELS
 "H266-A" and "H266-B"
 5/90 thru Current



002395

WIRING DIAGRAM FOR MODEL
 "I266-A" and "I266-B"
 5/90 thru Current



006848

WIRING DIAGRAM FOR MODELS
 "F266-A", "G266-A" and "J266-A"
 10/92 thru Current

REPLACEMENT PARTS LIST FOR MODEL "H266"

See page 5 for "H266" illustration.

MODEL: H266-A					H266-B
REF. NO.	DESCRIPTION	QTY	NOTES	5/90 thru 6/91	7/91 thru Current
1	Case & Switch Asm	1		004739	004739
2	• Handle	1		267032	267032
3	Case-Mach	1		004610	004610
4	• Gasket, Case/Cover	1		267007	267007
5	Relay Asm	1		001536	001536
6	• Wire Pkg (2) Wires	1		267014	267014
7	Housing, Mtr & Str	1	1 & 2	003781	003781
8	• Seal, Cord-Asm & Strain Relief	1		011626	011626
9	Cord Term & Seal Asm	1		006930	006930
10	Bearing, Upper Rotor	1		N/A	N/A
11	• Guard	1		267008	267008
12	• Arm & Seal Asm	1		004741	004741
13	Switch Asm	1		004740	004740
14	Float, Polypropylene	1		034019	034019
15	Rod, Float-Molded	1		001526	001526
16	Rotor Asm	1	2	267005	267005
17	• Seal, Mtr Hsg	1		267006	267006
18	• Washer, Trst-Nyl.875X.504X.050"	1		002140	002140
19	Housing, Pump-Mach	1		003877	003877
20	• Seal Asm, Shaft	1		267027	267027
21	Impeller "266"	1		003884	150857
22	Seal, O-ring	1		005701	005701
23	Base-Molded	1		005199	005199
24	Guide Asm, Float Rod	1		005454	005454
25	• Oil, Dielectric (24.5 oz)	1		267056	267056
26	• Seal, Thru Wall Term	3		003402	003402
27	• Plug, Test-White	2		034090	034090
28	• Clamp, Strain Relief	1		001770	001770
29	• Screw, .25-20X.75 HHM-SS	4		001916	001916
30	• Screw, #10-24X.37RHM-SL SS	2		001883	001883
31	• Screw, #6-32X.438RH PH TP PE 23	2		004644	004644
32	• Screw, #6-32X.25RHM SLTC STLGR	3		001877	001877
33	• Screw, #10-10X1-UNSLTD HEXWash	10		005326	005326
34	• Sem, 10-12X.5HH-SLSHMT SCR TP	1		003229	003229
35	• Screw, .25-20X.875"LG HH SS	4		012491	012491
▫	Rebuild Kit	1		004743	004743

• Items included in Rebuild Kit.

▫ Not shown in illustration.

NOTES:

- 1) Motor housing, bearing, stator & terminal are preassembled at the factory and must be replaced as a unit. Stator is permanently attached to motor housing. Plug, test-white and seal, thru wall terminal are replaceable.
- 2) When ordering motor housing, bearing, stator and terminal, or rotor and bearing, specify either GE or Emerson motor.
- 3) See FM0160 parts price sheet for listing of parts prices.

REPLACEMENT PARTS LIST FOR MODEL "I266"

See page 6 for "I266" illustration.

MODEL: I266-A						I266-B
REF. NO.	DESCRIPTION	QTY	NOTES	5/90 thru 6/91	7/91 thru Current	
1	Cover & Handle Asm	1		267051	267051	
2	• Handle	1		267032	267032	
3	Cover-Mach	1		267052	267052	
4	Retainer, HDL-NA	1		267053	267053	
5	• Gasket, Case/Cover	1		267007	267007	
6	Relay Asm	1		001536	001536	
7	• Wire Pkg (2) Wires	1		267014	267014	
8	Housing, Mtr & Str	1	1 & 2	003781	003781	
9	• Seal, Cord-Asm & Strain Relief	1		011626	011626	
10	Cord Term & Seal Asm	1		007071	007071	
11	Bearing, Upper Rotor	1		N/A	N/A	
12	Rotor Asm	1	2	267005	267005	
13	• Seal, Mtr Hsg	1		267006	267006	
14	• Washer, Trst-Nyl.875X.504X.050"	1		002140	002140	
15	Housing, Pump-Mach	1		003877	003877	
16	• Oil, Dielectric (24.5 oz)	1		267056	267056	
17	• Seal Asm, Shaft	1		267027	267027	
18	Impeller "266"	1		003884	150857	
19	Seal, O-ring	1		005701	005701	
20	Base-Molded	1		005199	005199	
21	• Seal, Thru Wall Term	3		003402	003402	
22	• Plug, Test-White	2		034090	034090	
23	• Clamp, Strain Relief	1		001770	001770	
24	• Screw, .25-20X.75 HHM-SS	4		001916	001916	
25	• Screw, #10-24X.37RHM-SL SS	2		001833	001833	
26	• Screw, #6-32X.25RHM SLTC STLGR	3		001877	001877	
27	• Screw, #10-10X1-UNSLTD HEXWash	10		005326	005326	
28	• Screw, .25-20X.875"LG HH SS	4		012491	012491	
▣	Rebuild Kit	1		004743	004743	

• Items included in Rebuild Kit.

▣ Not shown in illustration.

NOTES:

- 1) Motor housing, bearing, stator & terminal are preassembled at the factory and must be replaced as a unit. Stator is permanently attached to motor housing. Plug, test-white and seal, thru wall terminal are replaceable.
- 2) When ordering motor housing, bearing, stator and terminal, or rotor and bearing, specify either GE or Emerson motor.
- 3) See FM0160 parts price sheet for listing of parts prices.

REPLACEMENT PARTS LIST FOR MODEL "F266", "G266" and "J266"

See page 7 for illustrations.

REF. NO.	DESCRIPTION	QTY	NOTES	MODELS: F266-A			G266-A	J266-A
				10/92 thru Current			10/92 thru Current	10/92 thru Current
1	Cover & Handle Asm	1		267051			267051	267051
2	• Handle	1		267032			267032	267032
3	Cover-Mach	1		267052			267052	267052
4	Gasket, Case/Cover	1		267007			267007	267007
5	Housing, Mtr & Str	1	1 & 2	004966			009510	009511
6	Seal, O-ring	1		005701			005701	005701
7	• Clamp, Strain Relief	1		001770			001770	001770
8	Cordage Term & Seal	1		003761			003761	003761
9	• Seal, Cord-Asm & Strain Relief	1		094032			094032	094032
10	• Plug, Test-White	2		034090			034090	034090
11	• Seal, Thru Wall Term	3		003402			003402	003402
12	Retainer, HDL-NA	2		267053			267053	267053
13	• Screw, #10-24X.375 RHM-SL SS	2		001883			001883	001883
14	• Screw, .25-20X.75 HHM-SS	4		001916			001916	001916
15	Rotor Asm	1	2	009506			009506	009506
16	• Washer, Trst-Nyl.875X.504X.050"	1		002140			002140	002140
17	• Seal, Mtr Hsg	1		267006			267006	267006
18	• Oil, Dielectric (24.5 oz)	1		267056			267056	267056
19	Housing, Pump-Mach	1		003877			003877	003877
20	• Seal Asm, Shaft	1		267027			267027	267027
21	Impeller "266"	1		009884			009884	009884
22	Base-Molded	1		005199			005199	005199
23	Screw, #10-10X1-UNSLTD HEX Wash	10		005326			005326	005326
24	Nut 5/16-24 Acorn	1		004348			004348	004348
25	• Screw, #6-32X.25RHM SL TC STLGR	3		001877			001877	001877
26	• Screw, .25-20X.875"LG HH SS	4		012491			012491	012491
▫	Rebuild Kit	1		004743			004743	004743

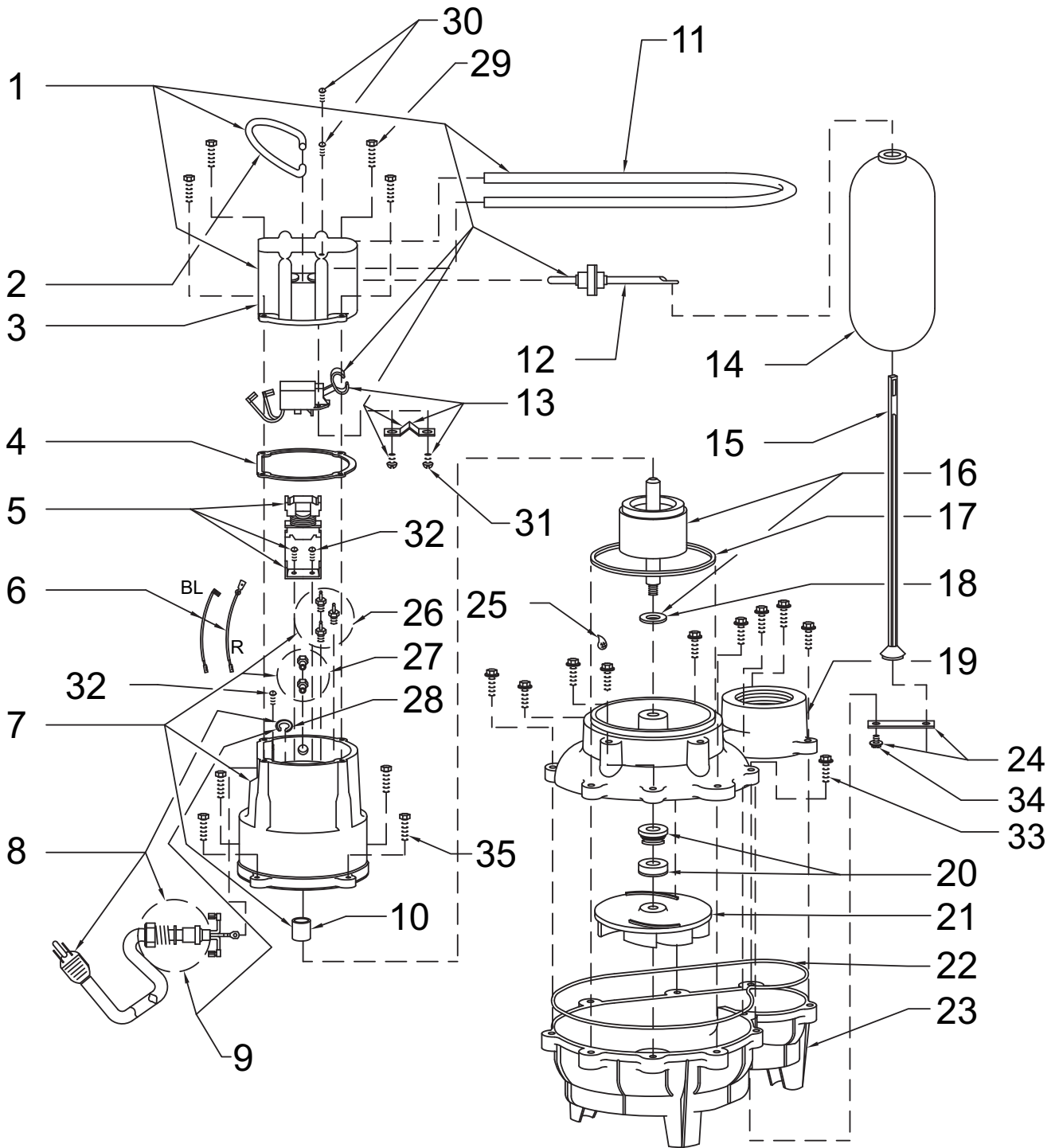
• Items included in Rebuild Kit.

▫ Not shown in illustration.

NOTES:

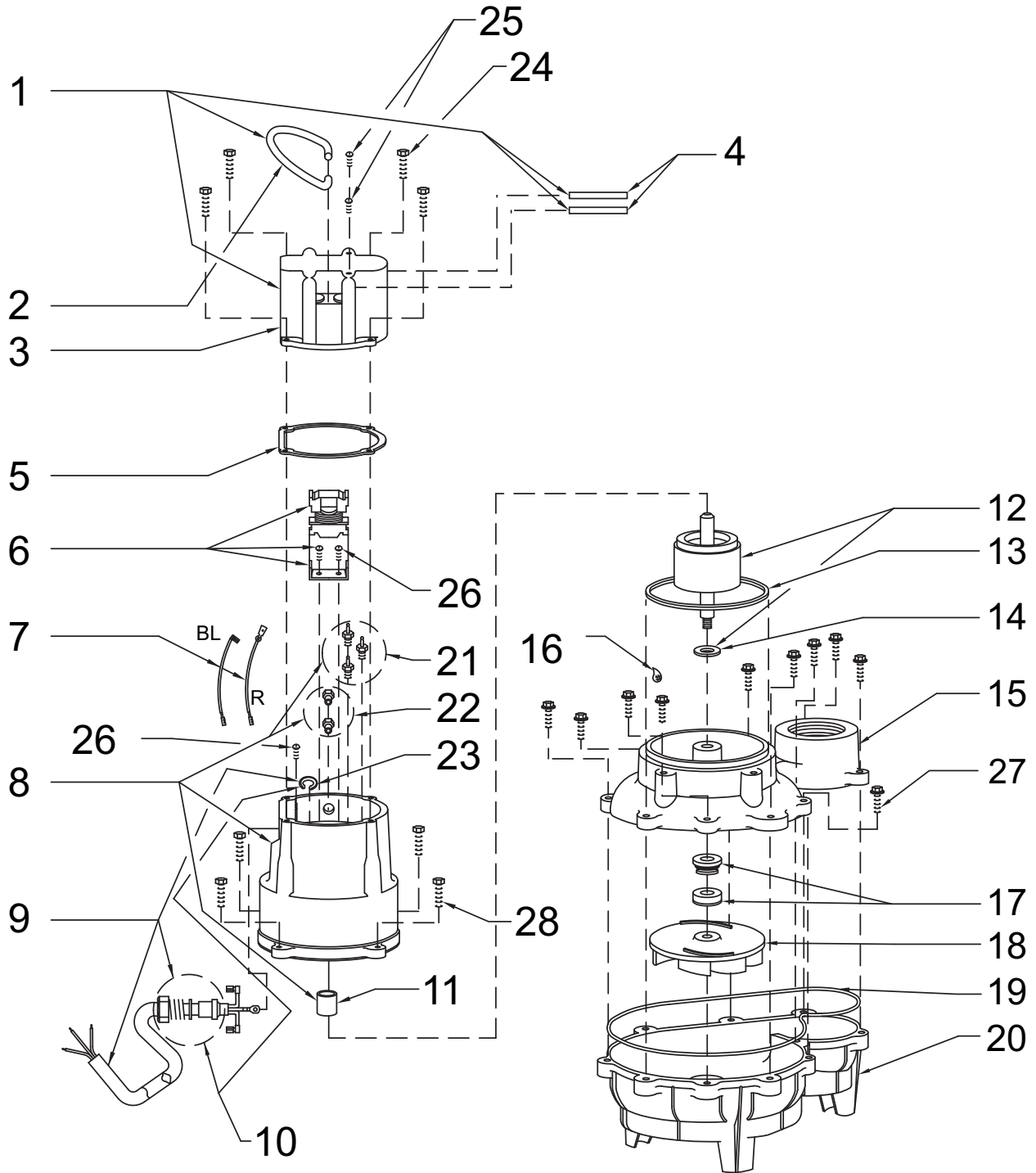
- 1) Motor housing, bearing, stator & terminal are preassembled at the factory and must be replaced as a unit. Stator is permanently attached to motor housing. Plug, test-white and seal, thru wall terminal are replaceable.
- 2) When ordering motor housing, bearing, stator and terminal, or rotor and bearing, specify either GE or Emerson motor.
- 3) See FM0160 parts price sheet for listing of parts prices.

REPLACEMENT PARTS ILLUSTRATION FOR MODELS "H266"



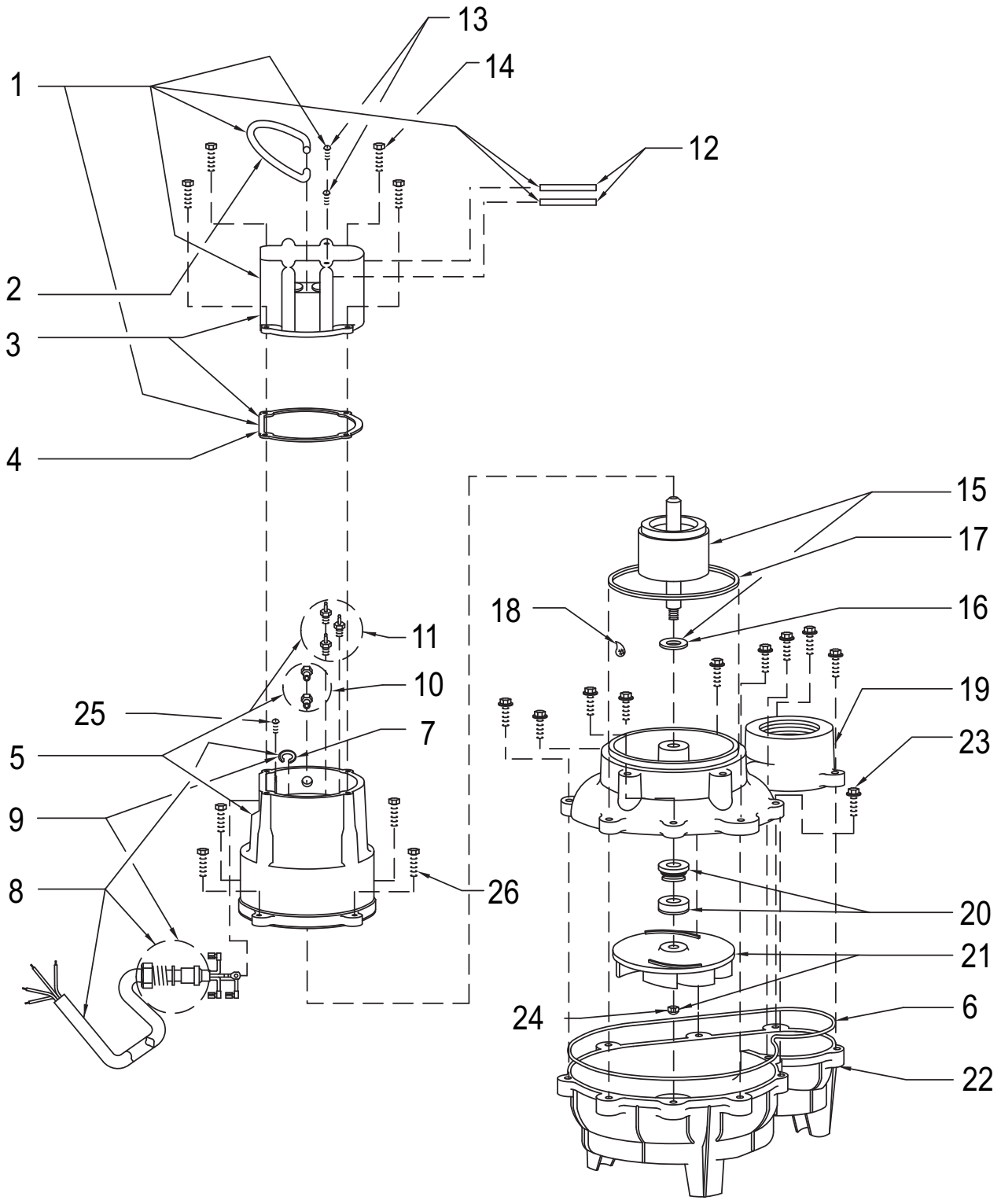
SK795

REPLACEMENT PARTS ILLUSTRATION FOR MODELS "I266"



SK2496

REPLACEMENT PARTS ILLUSTRATION FOR MODELS "F, G & J266"



SK1884



PUMP COMPANY

*MAIL TO: P.O. BOX 16347 • Louisville, KY 40256-0347
SHIP TO: 3649 Cane Run Road • Louisville, KY 40211-1961
(502) 778-2731 • 1 (800) 928-PUMP • FAX (502) 774-3624*

Your Peace of Mind is Our Top Priority™

**visit our web site:
www.zoeller.com**

© Copyright 2011 Zoeller Co. All rights reserved.