



# Pressure Booster Pump Submittal Data

**FLINT & WALLING**

Zoeller Family of Water Solutions™



Job or Customer	
Engineer	
Contractor	
Submitted by	Date
Approved by	Date
Specification Reference	
Quote Date	Quote Number

Quantity	Model Number	System Discharge Pressure (PSI)	Flow (GPM)	System Inlet Pressure (PSI)	Volts	Phase	Comments

PRESSURE ADDED - PSI†					10	20	40	60	80	100	120	140	160	180	200	220	Max. Press. PSI	Suction Pipe Tap NPT	Disch. Pipe Tap NPT
Stainless Steel Fitted	Powder-Coated Cast Iron Fitted	Cast Iron Fitted	HP	Stage	Output - Gallons per Minute														
<b>60Hz Models</b>																			
PB0508S031	PB0508C031	PB0508A031‡	1/3	8	10.2	9.6	8.3	6.5	4.3								96	3/4"	3/4"
PB0512S051	PB0512C051	PB0512A051‡	1/2	12	10.0	9.5	8.3	7.1	6.0	4.0	2.3						132		
PB0516S071	PB0516C071	PB0516A071	3/4	16	10.2	9.7	9.1	8.3	7.5	6.6	5.8	4.6	3.3				189		
PB0712S071	PB0712C071	PB0712A071	3/4	12	14.0	13.4	12.2	10.9	9.5	8.9	7.0	4.6					158		
PB1014S101	PB1014C101	PB1014A101	1	14	*	*	14.5	13.4	12.3	11.2	9.8	8.0	6.0	2.3			183		
PB1016S151	PB1016C151	PB1016A151	1-1/2	16	*	*	15.0	14.1	13.1	12.1	11.0	9.8	8.2	5.2	2.0		212	1"	1"
PB1914S201	PB1914C201	PB1914A201	2	14	27.6	27.0	25.7	24.2	22.6	20.8	18.7	16.2	12.9	7.7			190		
PB3506S201	PB3506C201	PB3506A201	2	6	48.0	47.0	42.5	35.2	24.0								85		
PB2711S201	PB2711C201	PB2711A201	2	11	*	*	31.5	29.5	27.1	24.2	20.3	13.0					147		
PB3508S301	PB3508C301	PB3508A301	3	8	48.0	47.5	44.0	40.0	35.2	27.5							118		
PB2714S301	PB2714C301	PB2714A301	3	14	*	*	33.0	31.5	29.8	27.9	25.6	22.8	18.9	11.1			187	2"	2"
PB2717S303**	-	-	3	17	*	*	34.1	32.3	30.5	28.3	25.8	23.1	20.0	16.6	11.4	225			
-	-	PB5504A201	2	4	77.6	71.5	52.5										55		
-	-	PB5506A301	3	6	77.8	74.4	65.0	51.1	31.9								83		
-	-	PB8504A201	2	4	105.8	90.0	47.0										49		
-	-	PB8505A301	3	5	108.8	98.8	60.0	25.0									60		

‡ Equipped with carrying handle. 132079 handle available as an option for other models.

† Example: If PB0508A031 pump is connected to supply line of sufficient capacity, carrying water at 40 PSI, and the output of the pump is held to 7.3 GPM by a gate valve, the pump will add 40 PSI to line pressure for a total output pressure of 80 PSI.

\* Operation of pump in this range may result in reduced pump life and/or motor damage.

To keep pump and seal lubricated, a minimum flow of 1.5 GPM must always be maintained through the pump.

\*\* Only available in 3 phase

Motor voltage: Open Drip Proof

Single Phase 1/3 - 2 HP - 115/230; 3 HP - 230V 60 Hz.

Three Phase 1/2 - 2 HP - 208-230/460, 50/60Hz.

Three Phase 3 HP - 208-230/460, 60 HZ

For three phase models, use suffix "3" on the model no.

Example: PB0512A053

Totally Enclosed Fan Cooled

Single Phase: 1/2 thru 3 HP - 115/230V 60/50Hz

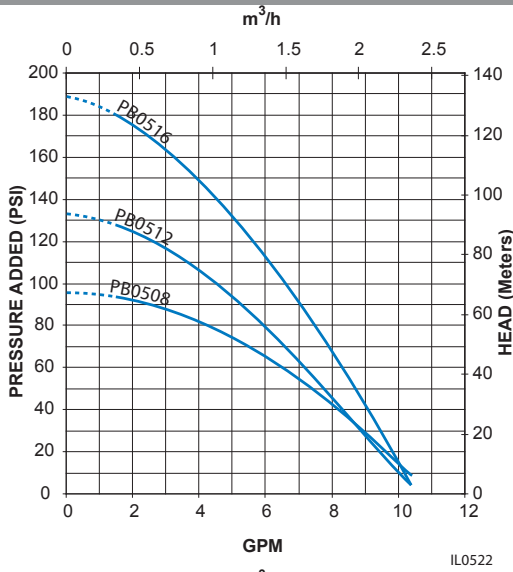
Three Phase: 1/2 thru 3 HP - 208/230/460V 60/50Hz



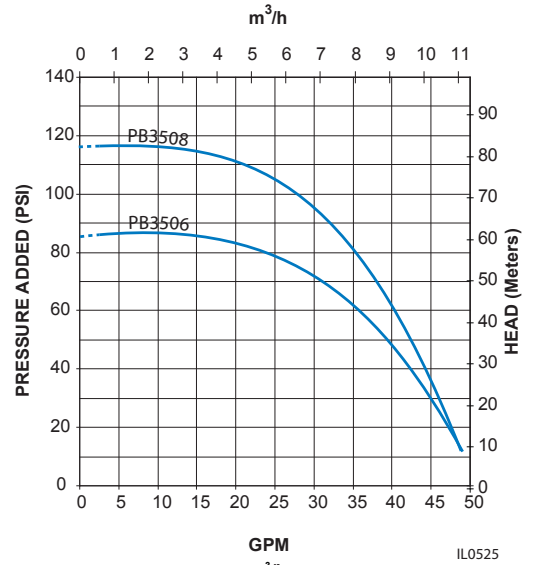
**FLINT & WALLING**

Zoeller Family of Water Solutions™

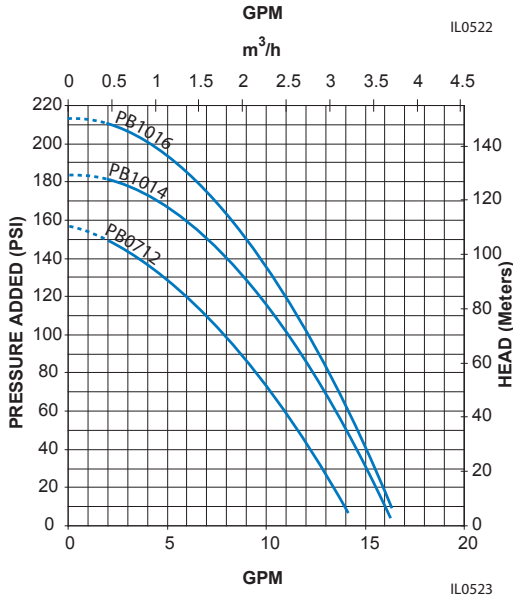
**5 GPM**



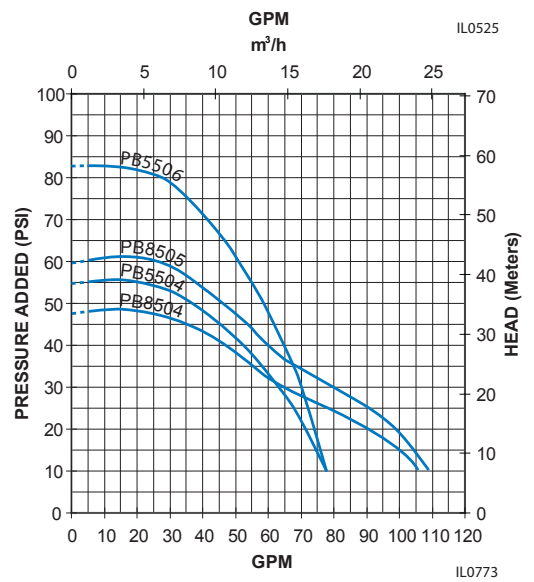
**35 GPM**



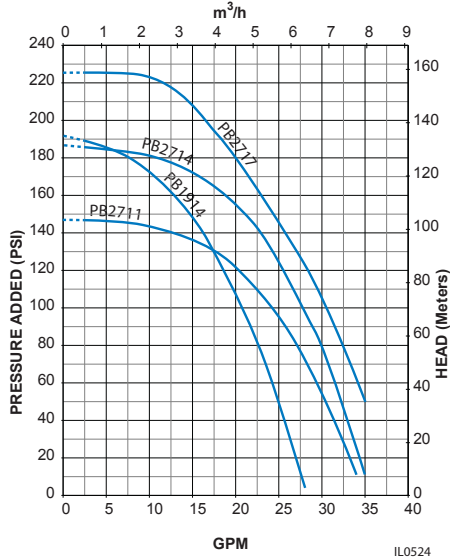
**7 and 10 GPM**



**55 & 85 GPM**



**19 & 27 GPM**



## GENERAL DATA

### PUMP DATA

Flow Range: ..... 1.5 TO 41.5 U.S. GPM  
 Pressure Boost Range: ..... 86 to 216 PSI  
 Liquid Temperatures: ..... 34°F to 140°F



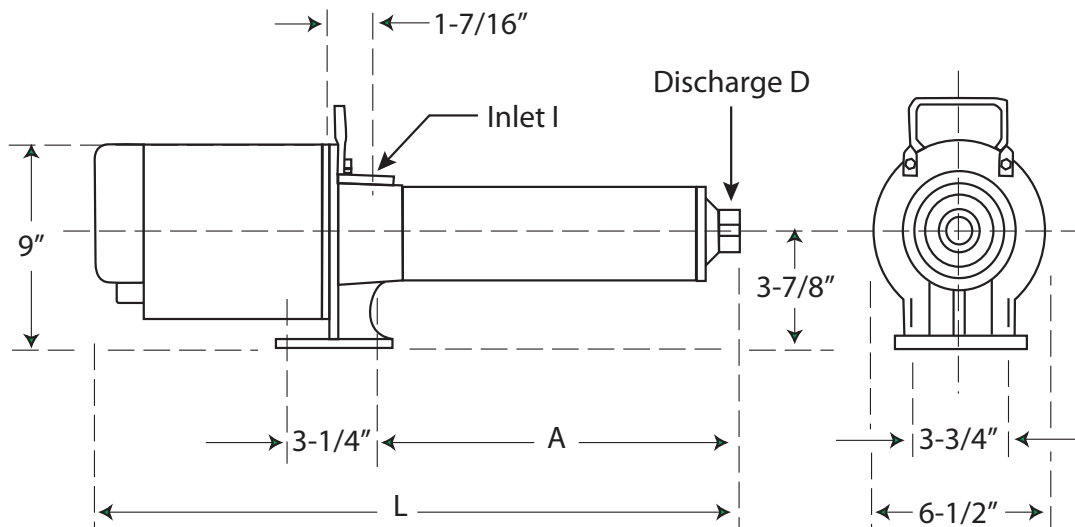
Agency Approvals: .....  
 Duty Cycle ..... Continuous  
 Pumping Medium ..... Clear Water  
 Service/Repair Information ..... Pump and Motor Field Serviceable

### MOTOR DATA

HP	Locked-Rotor Torque (Starting Torque) In-Lbs.	Single Phase						3 Phase				
		S.F.	Max. Amb.	Max. Amb. @ SF before Overload Tripping	Breakdown Torque In-Lbs.	Peak Output Power		S.F.	Max. Amb.	Breakdown Torque In-Lbs.	Peak Output Power	
						HP	kW				HP	kW
1/3	16	1.75	65° C/149° F	70° C/158° F	17	0.85	0.6	N/A	N/A	N/A	N/A	N/A
1/2	23	1.6	65° C/149° F	70° C/158° F	27	1.3	1.0	1.6	65° C	42	2.0	1.5
3/4	29	1.5	65° C/149° F	70° C/158° F	42	2.1	1.6	1.5	65° C	49	2.3	1.7
1	48	1.4	65° C/149° F	66° C/151° F	52	2.5	1.9	1.4	65° C	74	3.5	2.6
1.5	59	1.3	65° C/149° F	66° C/151° F	76	3.8	2.8	1.3	65° C	90	4.3	3.2
2	63	1.25	65° C/149° F	66° C/151° F	80	4.0	3.0	1.25	65° C	112	5.3	4.0
3	65	1.0	65° C/149° F	66° C/151° F	95	4.5	3.4	1.0	50° C	125	5.9	4.4
3**	65							1.15	40° C	135	6.4	4.7

\*\* Only available in 3 phase

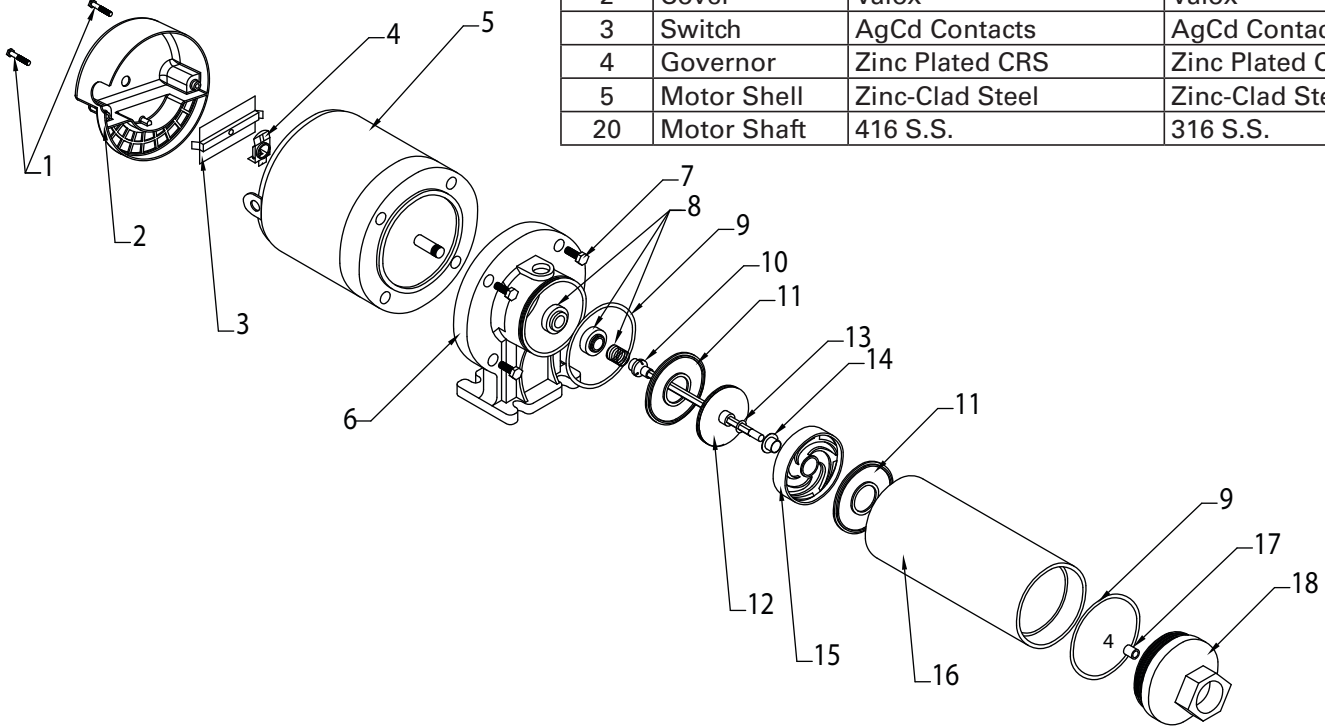
Motor Voltage: Single Phase 1/3 - 2 HP - 115/230; 3HP - 230V 60 Hz.  
 Three Phase 1/2 - 2 HP - 208-230/460, 50/60Hz  
 Three Phase 3 HP - 208-230/460, 60Hz



IL0391

**CONSTRUCTION MATERIALS - MOTOR**

ITEM NO.	DESCRIPTION	CAST IRON/POWDER-COATED MODELS	SS MODELS
1	Cover Bolts (2)	Plated Steel	Plated Steel
2	Cover	Valox	Valox
3	Switch	AgCd Contacts	AgCd Contacts
4	Governor	Zinc Plated CRS	Zinc Plated CRS
5	Motor Shell	Zinc-Clad Steel	Zinc-Clad Steel
20	Motor Shaft	416 S.S.	316 S.S.



IL0127

**CONSTRUCTION MATERIALS - PUMP**

ITEM NO.	DESCRIPTION	CAST IRON/POWDER-COATED MODELS	SS MODELS
6	Mounting Ring	Cast Iron/Powder-Coated	316 S.S.
7	Motor/Mounting Ring Bolts (4)	Plated Steel	Plated Steel
8	Seal, Rotary w/Spring	Ceramic - Carbon/S.S. & Buna N	Ceramic-Carbon/S.S. & Viton
9	O-Ring (2)	Buna-N	Viton
10	Coupling	316 Sintered S.S.	316 Sintered S.S.
11	Plate	Celcon	Celcon
12	Impeller	Noryl 731	Noryl 731
13	Shim as Required	300 S.S.	300 S.S.
14	Bearing	300 S.S.	300 S.S.
15	Diffuser	Noryl 731	Noryl 731
16	Barrel	304 S.S.	304 S.S.
17	Discharge Bearing	Sintered Bronze	Sintered Bronze
18	Discharge Head	Cast Iron/Powder-Coated	316 S.S.
19	Pump Shaft	416 S.S.	316 S.S.