

Product information presented here reflects conditions at time of publication. Consult factory regarding discrepancies or inconsistencies.

MAIL TO: P.O. BOX 16347 • Louisville, KY 40256-0347  
 SHIP TO: 3649 Cane Run Road • Louisville, KY 40211-1961  
 (502) 778-2731 • 1 (800) 928-PUMP • FAX (502) 774-3624

visit our web site:  
[www.zoeller.com](http://www.zoeller.com)

## REPLACEMENT PARTS LIST FOR MODELS:

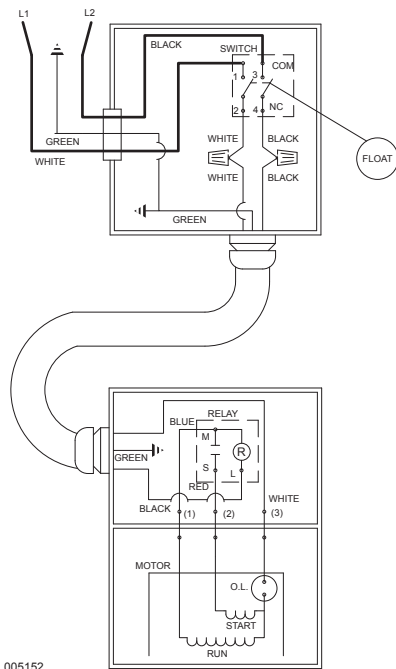
**M3139AUTOMATIC 115V**  
**N3139 NONAUTOMATIC 115V**  
**D3139 AUTOMATIC 230V**  
**E3139 NONAUTOMATIC 230V**

Consult factory for all other models

### TO ORDER REPLACEMENT PARTS:

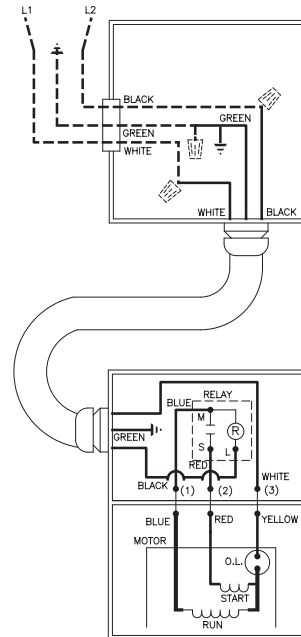
#### PLEASE FURNISH THE FOLLOWING INFORMATION:

- Model Number.
- Part Number of Pump.  
 (If manufactured prior to June 1988, give 2 letter date code following Model No.)
- Part Number and Description of part.



005152

WIRING DIAGRAM FOR MODELS  
 "M3139" All Revisions and "D3139" All Revisions  
 10/87 (WT) to Current



005236

WIRING DIAGRAM FOR MODELS  
 "N3139" All Revisions and "E3139" All Revisions  
 10/87 (WT) thru Current



# REPLACEMENT PARTS LIST FOR MODELS "N3139" & "E3139"

See back page for illustrations.

REF. NO.	DESCRIPTION	QTY	NOTES	MODELS: N3139-A					E3139-A	E3139-B	E3139-C	E3139-D	
				10/87 WT thru 2/90	3/90 thru 3/92	4/92 thru 9/94	10/94 thru 9/01	10/01 thru Current					
1	• Handle	2		267032	267032	267032	267032	267032		267032	267032	267032	267032
2	Cover & Handle	1		005364	005364	005364	009649	009649		005364	005364	009649	009649
3	Retainer, Handle	4		267053	267053	267053	267053	267053		267053	267053	267053	267053
4	• Gasket, Case or Cover	1		267007	267007	267007	267007	014555		267007	267007	267007	014555
5	Relay Asm	1		002474	002474	002474	002474	002474		147135	147135	002474	002474
6	• Wire Pkg. (BL & R)	1		267014	267014	267014	267014	267014		267014	267014	267014	267014
7	• Seal, Thru Wall Term	3		003402	003402	003402	003402	003402		003402	003402	003402	003402
8	• Plug	2		034051	034051	034051	034051	034051		034051	034051	034051	034051
9	Mtr. Hsg, Brg, Stator & Term-GE	1	3,4	005358	005358	005358	005358	005358		005359	005359	005359	005359
	Mtr. Hsg, Brg, Stator & Term-Emer	1	3,4	005358	005358	006143	006143	006143		005359	006144	006143	006143
10	Bearing, Upper Rotor	1		034052	034052	N/A	N/A	N/A		034052	034052	N/A	N/A
11	Rotor (115V/230V)-GE	1		267005	267005	267005	267005	267005		267005	267005	267005	267005
	Rotor (115V/230V)-Emerson	1		267005	267005	004021	004021	004021		267005	004021	004021	004021
12	• Washer, Thrust	1		002140	002140	002140	002140	002140		002140	002140	002140	002140
13	• Seal, Mtr Hsg.	1		267006	267006	267006	267006	014256		267006	267006	267006	014256
14	• Oil, Dielectric	1	7	267056	006064	006064	006064	006064		267056	006064	006064	006064
15	Bearing, Lower	1		054024	054024	N/A	N/A	N/A		054024	N/A	N/A	N/A
16	Pump Housing	1		139018	139018	139018	139018	139018		139018	139018	139018	139018
17	• Seal, Shaft	1		005095	005095	005095	005095	014554		005095	005095	005095	014554
18	Impeller	1		139006	139006	139006	139006	139006		139006	139006	139006	139006
19	Base & Plate Asm	1		139002	139002	139002	139002	139002		139002	139002	139002	139002
20	Strainer Plate	1		137008	137008	137008	137008	137008		137008	137008	137008	137008
21	Cover, Plate & Gasket	1		N/A	N/A	007652	007652	007652		N/A	007652	007652	007652
22	Housing, Switch Case	1		N/A	N/A	006837	009454	009454		N/A	006837	009454	009454
23	Clamp, #36 Worm	1		N/A	N/A	001766	001766	001766		001766	001766	001766	001766
24	Strain Relief	2	1	001770	001770	001770	001770	001770		001770	001770	001770	001770
25	• Seal Asm, Conduit	2	1	018078	018078	018078	009643	009643		018078	018078	009643	009643
26	• Gasket, Case or Cover	1		N/A	N/A	267007	267007	014555		034046	267007	267007	014555
27	Cordage Conduit & Seals	1		018084	018084	018084	009647	009647		018084	018084	009647	009647
28	Conduit 6'	1		005252	005252	005252	005252	005252		005252	005252	005252	005252
29	Cordage & Terms	1		005354	005354	005354	005354	005354		005354	005354	005354	005354
30	• Screw, .25-20 x .75 HHM-SS	13		001916	001916	001916	001916	001916		001877	001877	001877	001877
31	• Screw, #10-24 x .375 RHM-SS	5		N/A	N/A	001883	001883	001883		001883	001883	001883	001883
32	• Screw, #6-32 x .375 RH SL STLZI	2		004644	004644	004644	004644	004644		004644	004644	004644	004644
33	• Screw, #10-24 x .375HH-SL TC	2		002000	002000	002000	002000	002000		002000	002000	002000	002000
34	• Screw, .25-20 x .875 LG HH SS	4		012491	012491	012491	012491	012491		012491	012491	012491	012491
42	Junction Box Assembly	1		005435	005435	N/A	N/A	N/A		005435	N/A	N/A	N/A
▣	Rebuild Kit	1		018090	018090	018090	018087	018087		018090	018090	018087	018087

• Items included in Rebuild Kit.

▣ Not shown in illustration.

### NOTES:

- 1) Strain Relief (Item 24) can be purchased separately, but is included with Cord, Terminal & Seal Assembly (Item 29) and with Seal, Cord Assembly (Item 25).
- 2) Mtr. Hsg., Brg., Stator & Term. (Item 9) are preassembled at the factory and must be replaced as a unit. Stator is permanently attached to the Motor Housing. Plug (Item 8); Seal, Thru Wall Term. (Item 7) and Bearing - Upper (Item 10) are replaceable.
- 3) When ordering Motor Housing, Bearing, Stator and Term. (Item 9) or Rotor (Item 11) specify either GE or Emerson motor. GE motor can be identified by (4) holes spaced at 90° around the outside diameter of the stator. Emerson motor can be identified by (4) flat edges spaced at 90° around the outside diameter of the stator.
- 4) See FM0160 Parts Price Sheet for listing of parts prices.
- 5) "NA" indicates, not applicable.
- 6) If an "X" follows Model No., or Date Mfg. on brass ID tag, consult factory for ordering any parts.
- 7) When ordering Dielectric Oil (Item 14) for 115V Revision "A" pumps only, relay (Item 5) must be ordered.

### DATE CODE OF MANUFACTURE FROM 12/70 to 12/88

1st LETTER MONTH		2nd LETTER YEAR			
M --- JAN.	T --- JULY	A --- 1971	G --- 1977	O --- 1983	
N --- FEB.	U --- AUG.	B --- 1972	H --- 1978	P --- 1984	
O --- MARCH	V --- SEPT.	C --- 1973	I --- 1979	R --- 1985	
P --- APRIL	W --- OCT.	D --- 1974	J --- 1980	S --- 1986	
R --- MAY	X --- NOV.	E --- 1975	M --- 1981	T --- 1987	
S --- JUNE	Y --- DEC.	F --- 1976	N --- 1982	U --- 1988	

NOTE: Four digit (MMYY) date of mfg. used after June, 1988.  
IE: MMYY = 0192 = Jan. 1992.



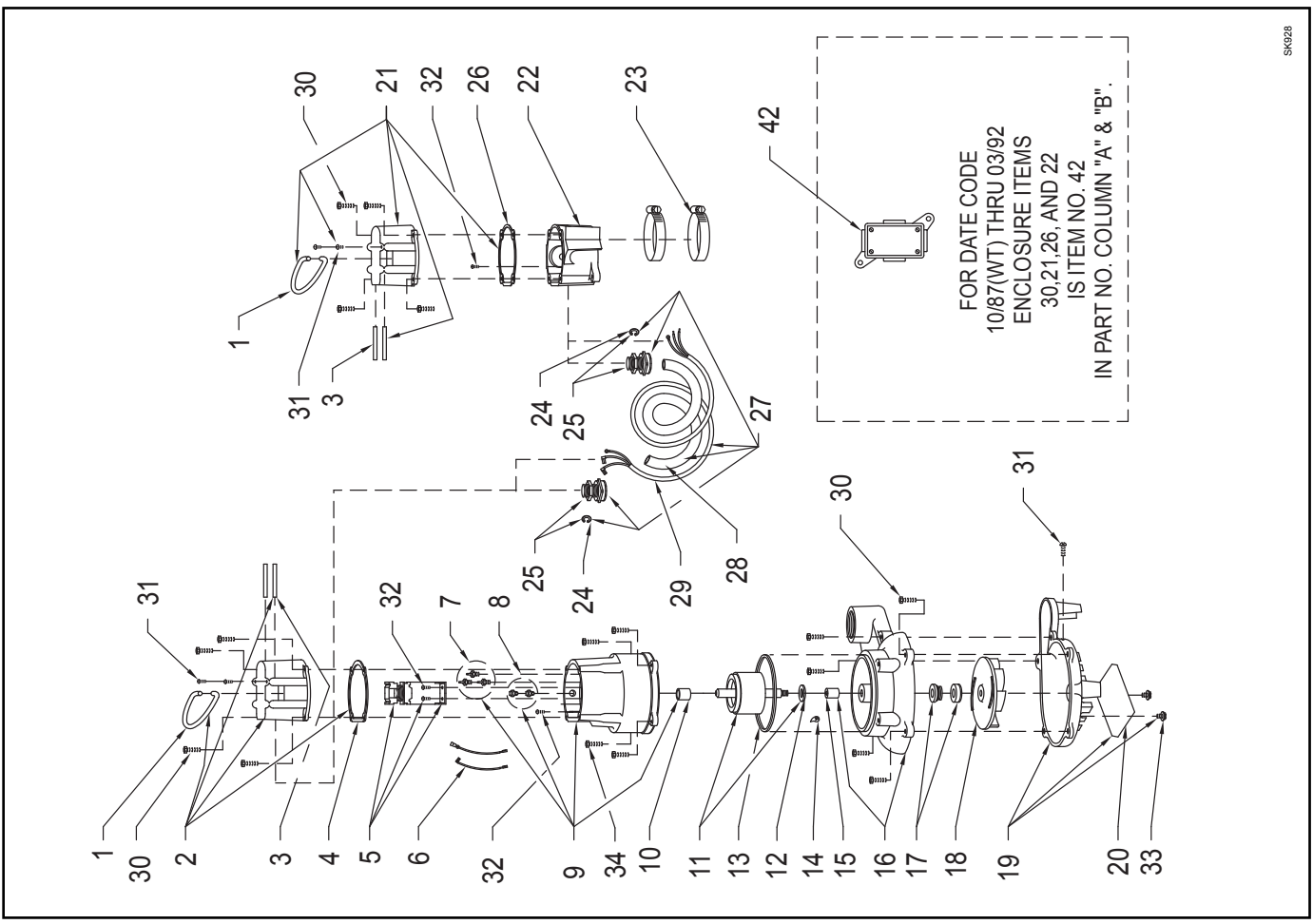
**PUMP COMPANY**

MAIL TO: P.O. BOX 16347 • Louisville, KY 40256-0347  
SHIP TO: 3649 Cane Run Road • Louisville, KY 40211-1961  
(502) 778-2731 • 1 (800) 928-PUMP • FAX (502) 774-3624

Your Peace of Mind is Our Top Priority®

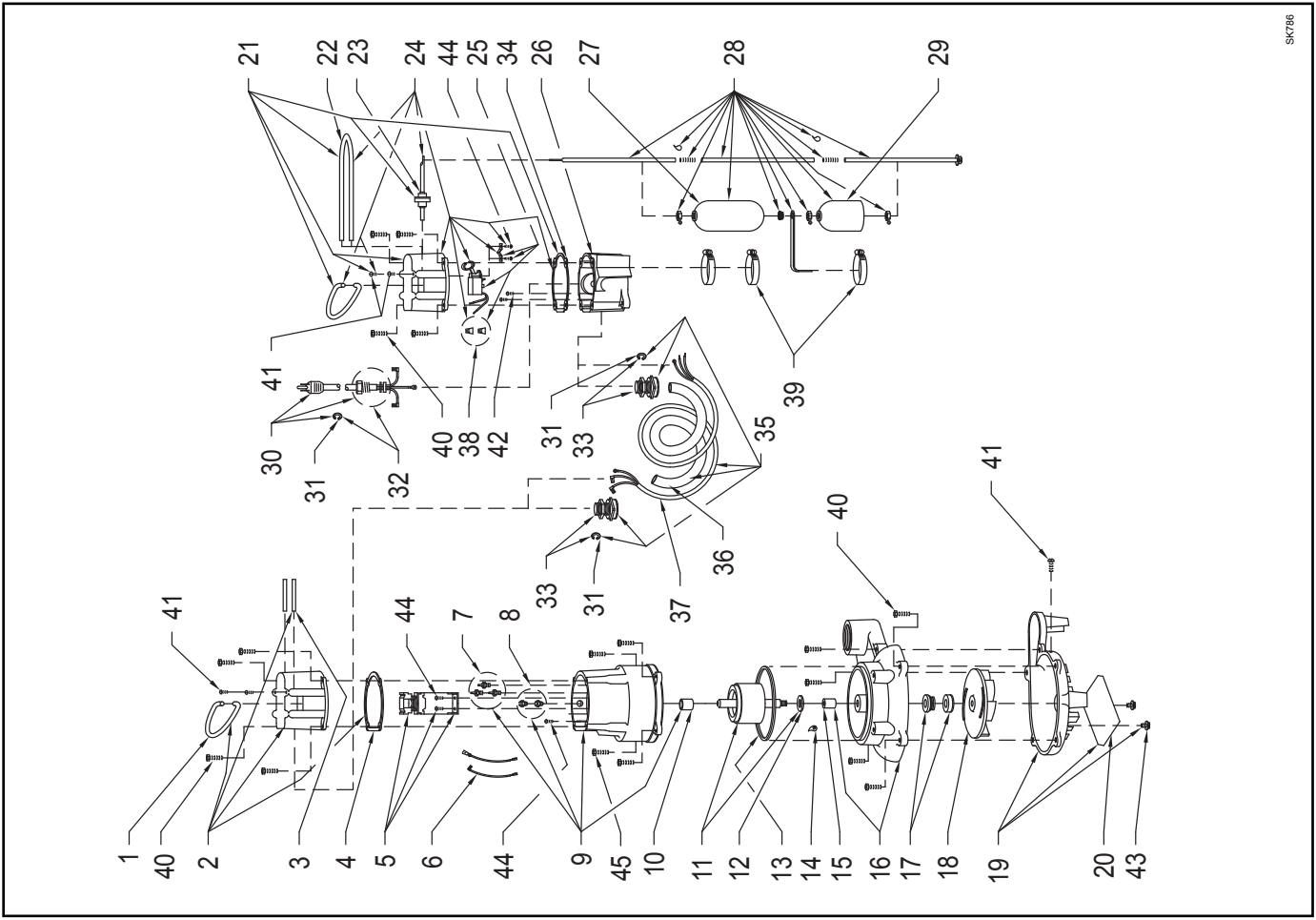
visit our web site:  
[www.zoeller.com](http://www.zoeller.com)

REPLACEMENT PARTS ILLUSTRATION FOR MODELS "M3139" and "D3139" and "E3139"



SK028

REPLACEMENT PARTS ILLUSTRATION FOR MODELS "M3139" and "D3139" and "E3139"



SK786