

Product information presented here reflects conditions at time of publication. Consult factory regarding discrepancies or inconsistencies.



PUMP COMPANY

Zoeller Family of Water Solutions™

MAIL TO: P.O. BOX 16347 • Louisville, KY 40256-0347
 SHIP TO: 3649 Cane Run Road • Louisville, KY 40211-1961
 (502) 778-2731 • 1 (800) 928-PUMP • FAX (502) 774-3624

visit our web site:
www.zoeller.com

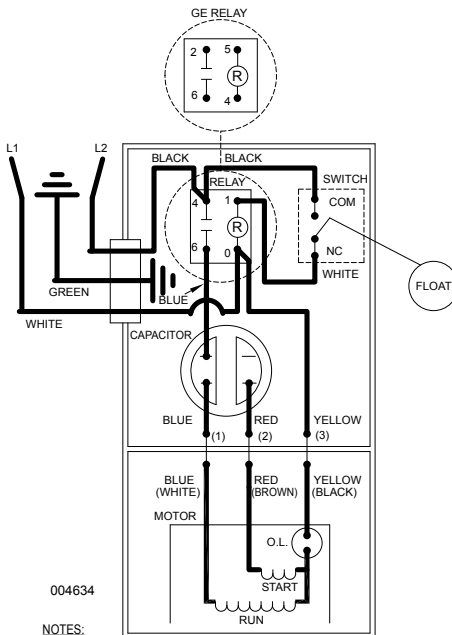
REPLACEMENT PARTS LIST FOR MODELS: D294 AUTOMATIC 230V E294 NONAUTOMATIC 230V

Consult factory for all other Models

TO ORDER REPLACEMENT PARTS:

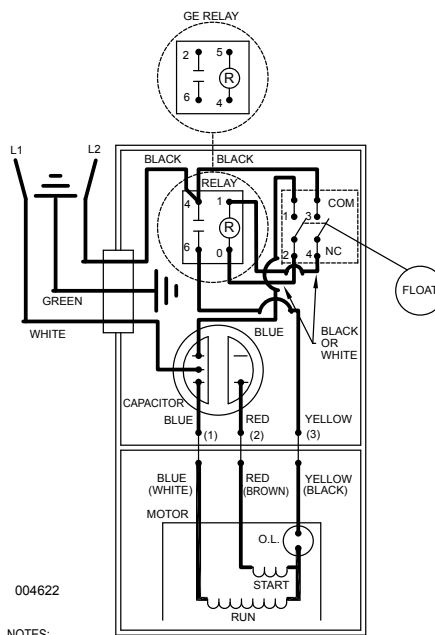
PLEASE FURNISH THE FOLLOWING INFORMATION:

- Model Number.
- Part Number of Pump.
 (If manufactured prior to June 1988, give 2 letter date code following Model No.)
- Part Number and Description of part.



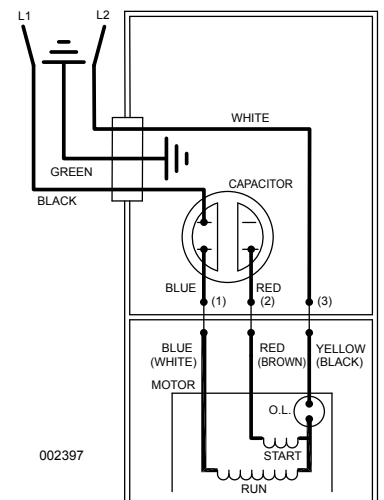
NOTES:
 INSULATORS REQUIRED ON GE RELAY TERMINALS 2 & 5;
 OMRON RELAY TERMINALS 1 & 4.

WIRING DIAGRAM FOR MODELS
 "D294-A", "D294-B"
 2/85 (NR) thru 8/86 (US)



NOTES:
 INSULATORS REQUIRED ON GE RELAY TERMINALS 2 & 5;
 OMRON RELAY TERMINALS 1 & 4.

WIRING DIAGRAM FOR MODELS
 "D294-C" thru "D294-D"
 9/86 (VS) thru Current



WIRING DIAGRAM FOR MODELS
 "E294-A" thru "E294-H"
 2/85 (NR) thru Current

REPLACEMENT PARTS LIST FOR MODELS "D294"

See back page for "D294" illustration.

REF. NO.	DESCRIPTION	QTY	NOTES	MODELS: D294-A									
				D294-B	D294-C	D294-D	D294-E	D294-F	D294-G	D294-H	D294-J		
				2/85 NR thru 8/86 US	9/86 VS thru 5/87 RT	6/87 ST thru 7/90	8/90 thru 10/01	11/01 thru 4/03	5/03 thru 5/08	6/08 thru 1/16	2/16 thru 5/16	6/16 thru Current	
1	Case Sw & Cord	1	2,3	004252	004750	004750	004754	004754	014167	014167	014167	014167	
2	• Guard	1		001023	001023	001023	001023	001023	001023	001023	001023	001023	
3	Case-Mach	1	2,3	004754	004614	004614	004633	004633	014154	014154	014154	014154	
4	• Arm & Seal Asm	1	3	002379	004745	004745	004745	004745	004745	004745	004745	004745	
5	• Gasket, Case/Cover	1		001011	001011	001011	001011	001011	001011	001011	001011	001011	
6	Switch Asm	1	3	004206	004744	004744	004744	004744	004744	004744	004744	004744	
7	• Wire Pkg.(5) Wires	1		004174	004174	004751	004751	004751	004751	004751	004751	004751	
8	Relay	1		217093	217093	217093	217093	217093	217093	217093	153833	153833	
9	Capacitor & Clamp Asm.	1		006135	006135	006135	006135	006135	006135	006135	006135	006135	
10	Float, Plastic	1		094039	094039	094039	094039	094039	094039	094039	094039	094039	
11	Guide Asm, Flt Rod	1		001072	001072	001072	001072	001072	001072	001072	001072	001072	
12	Rod Asm, Flt	1		001043	001043	001043	001043	001043	001043	001043	001043	001043	
13	Housing, Mtr- & Str	1	1	004094	004094	004993	004993	004993	004993	019233	019233	019233	
14	Bearing, Sleeve	1		001012	001012	001012	001012	001012	001012	NA	NA	NA	
	Bearing, Radial			NA	NA	NA	NA	NA	NA	006703	006703	006703	
15	• Handle	1		217069	217069	217069	217069	217069	217069	217069	217069	217069	
16	Cord Term & Seal Asm	1	2	002429	002429	002429	004374	004374	014174	014174	014174	014174	
17	Clamp, Strain Relief	1	2	001770	001770	001770	NA	NA	013764	013764	013764	013764	
18	• Seal, Cord-Asm & Strain Relief	1	2	094032	094032	094032	004375	004375	015634	015634	015634	015634	
19	• Plug, Test-White	2		034090	034090	034090	034090	034090	034090	034090	034090	034090	
20	• Seal, Thru Wall Term	3		003402	003402	003402	003402	003402	003402	003402	003402	003402	
21	Rotor & Brg Asm	1		004095	004095	004994	004994	004994	004994	019225	019225	019225	
22	• Bearing, Radial	1		001013	001013	001013	001013	001013	001013	010069	010069	010069	
23	• Seal, Mtr Hsg	1		001014	001014	001014	001014	001014	001014	001014	001014	001014	
24	• Oil, Dielectric	1		002383	002383	002383	002383	002383	003168	011066	011066	011066	
25	Adapter-Mach	1		001003	001003	001003	001003	001003	001003	001003	001003	001003	
26	• Seal, Shaft	1		002430	002430	002430	002430	002430	002430	002430	002430	002430	
27	Flange Pkg 2"Npt	1		10-1305	10-1305	10-1305	10-1305	10-1305	10-1305	10-1305	10-1305	10-1305	
	Flange Pkg 3"Npt			10-1306	10-1306	10-1306	10-1306	10-1306	10-1306	10-1306	10-1306	10-1306	
28	Impeller "294" Bronze	1		004096	004096	004096	004096	014862	014862	014862	014862	014862	
	Impeller "294" Cast iron			NA	NA	NA	NA	NA	NA	NA	NA	154001	
29	Housing, Pump-Mach	1		001005	001005	001005	001005	001005	001005	001005	001005	001005	
30	• Screw,#10-24 X.375 RHM-SI SS	2		001883	001883	001883	001883	001883	001883	001883	001883	001883	
31	• Screw,#6-32x.25RHM SI Tc Stlgr	5		001877	001877	001877	001877	001877	001877	001877	001877	001877	
32	• Screw,.25-20 X .75 HHm-SS	4		001916	001916	001916	001916	001916	001916	001916	001916	001916	
33	• Screw,#6-32x.438RhsItp"1"Slizi	2		001877	004644	004644	004644	004644	004644	004644	004644	004644	
34	• Screw,.5-13 X 2 HH Cap-SS	2		001909	001909	001909	001909	001909	001909	001909	001909	001909	
35	• Washer,SS-1.25"Odx.562"ldx.078	2		002115	002115	002115	002115	002115	002115	002115	002115	002115	
36	• Screw,.313-18x1 HH Cap-SS	4		002608	002608	002608	002608	002608	002608	002608	002608	002608	
37	• Screw,.25-20X1" HHM-SS	4		007790	007790	007790	007790	007790	007790	007790	007790	007790	
□	Rebuild Kit "188/294"			004251	004752	004752	004752	004752	016103	019647	019647	019647	

• Items included in Rebuild Kit.

□ Not shown in illustration.

NOTES:

- 1) Mtr. Hsg., Brg., Stator & Term. (Item 13) is preassembled at the factory and must be replaced as a unit. Stator is permanently attached to the Motor Housing. Plug (Item 19); Seal, Thru Wall Term. (Item 20) and Bearing - Upper (Item 14) are replaceable.
- 2) If an "X" follows Model No., or Date Mfg. on brass ID tag, consult factory for ordering of this part.
- 3) When ordering these parts, customer must identify if switch is a General Electric switch.
- 4) See FM0160 Parts Price Sheet for listing of parts prices.
- 5) "NA" indicates, not applicable.

REPLACEMENT PARTS LIST FOR MODELS "E294"

See back page for "E294" illustration.

REF. NO.	DESCRIPTION	QTY	NOTES	MODELS: E294-A							
				E294-B	E294-C	E294-D	E294-E	E294-F	E294-G	E294-H	
1	Handle	1		2/85 NR thru 8/86 US	9/86 VS thru 5/87 RT	6/87 ST thru 7/90	8/90 thru 10/01	11/01 thru 4/03	5/03 thru 5/08	6/08 thru 5/16	6/16 thru Current
2	Cover & Cord	1	2	217069	217069	217069	217069	217069	217069	217069	217069
3	Cover-Mach	1	2	002401	002401	002401	004097	004097	014163	014163	014163
4	Gasket, Case/Cover	1		004097	004097	004097	004372	004372	014150	014150	014150
5	• Wire Pkg (5) Wires	1		001011	001011	001011	001011	001011	001011	001011	001011
6	Capacitor & Clamp Asm	1		004174	004751	004751	004751	004751	004751	004751	004751
7	Housing, Mtr-& Str	1	1	006135	006135	006135	006135	006135	006135	006135	006135
8	Bearing, Sleeve	1		004094	004094	004993	004993	004993	004993	019233	019233
	Bearing, Radial			001012	001012	001012	001012	001012	001012	NA	NA
9	Cord Term & Seal Asm	1	2	NA	NA	NA	NA	NA	NA	006703	006703
10	Clamp, Strain Relief	1	2	002402	002402	002402	007911	007911	014176	014176	014176
11	• Seal, Cord-Asm & Strain Relief	1	2	001770	001770	001770	NA	NA	013764	013764	013764
12	• Plug, Test-White	2		094032	094032	094032	004375	004375	015634	015634	015634
13	• Seal, Thru Wall Term	3		034090	034090	034090	034090	034090	034090	034090	034090
14	Rotor & Brg	1		003402	003402	003402	003402	003402	003402	003402	003402
15	• Bearing, Radial	1		004095	004095	004994	004994	004994	004994	019225	019225
16	• Seal, Mtr Hsg	1		001013	001013	001013	001013	001013	001013	010069	010069
17	• Seal, Thru Wall Term	1		001014	001014	001014	001014	001014	001014	001014	001014
18	• Oil, Dielectric	1		002383	002383	002383	002383	002383	003168	011066	011066
19	Adapter-Mach	1		001003	001003	001003	001003	001003	001003	001003	001003
20	Flange Pkg 2" Npt	1		002430	002430	002430	002430	002430	002430	002430	002430
	Flange Pkg 3" Npt			10-1305	10-1305	10-1305	10-1305	10-1305	10-1305	10-1305	10-1305
21	Impeller "294" Bronze	1		10-1306	10-1306	10-1306	10-1306	10-1306	10-1306	10-1306	10-1306
	Impeller "294" Cast iron			004096	004096	004096	004096	014862	014862	014862	014862
22	Housing, Pump-Mach	1		NA	NA	NA	NA	NA	NA	NA	154001
23	• Screw,#6-32x.25RHM SI Tc Stlgr	3		001005	001005	001005	001005	001005	001005	001005	001005
24	• Screw,#10-24 X.375 RHM-SI SS	2		001877	001877	001877	001877	001877	001877	001877	001877
25	• Screw,.25-20 X .75 HHm-SS	4		001883	001883	001883	001883	001883	001883	001883	001883
26	• Screw,.5-13 X 2 HH Cap-SS	2		001916	001916	001916	001916	001916	001916	001916	001916
27	• Washer,SS-1.25"Odx.562"Idx.078	2		001909	001909	001909	001909	001909	001909	001909	001909
28	• Screw,.313-18 X 1"HH Cap-SS	4		002115	002115	002115	002115	002115	002115	002115	002115
29	• Screw,.25-20X1" HHM-SS	4		002608	002608	002608	002608	002608	002608	002608	002608
□	Rebuild Kit	1		007790	007790	007790	007790	007790	007790	007790	007790
□	Rebuild Kit	1		004251	004752	004752	004752	004752	014193	019648	019648

• Items included in Rebuild Kit.

□ Not shown in illustration.

NOTES:

- 1) Mtr. Hsg., Brg., Stator & Term. (Item 7) is preassembled at the factory and must be replaced as a unit. Stator is permanently attached to the Motor Housing. Plug (Item 12); Seal, Thru Wall Term. (Item 13) and Bearing - Upper (Item 8) are replaceable.
- 2) If an "X" follows Model No., or Date Mfg. on brass ID tag, consult factory for ordering of this part.
- 3) See FM0160 Parts Price Sheet for listing of parts prices.
- 4) "NA" indicates, not applicable.



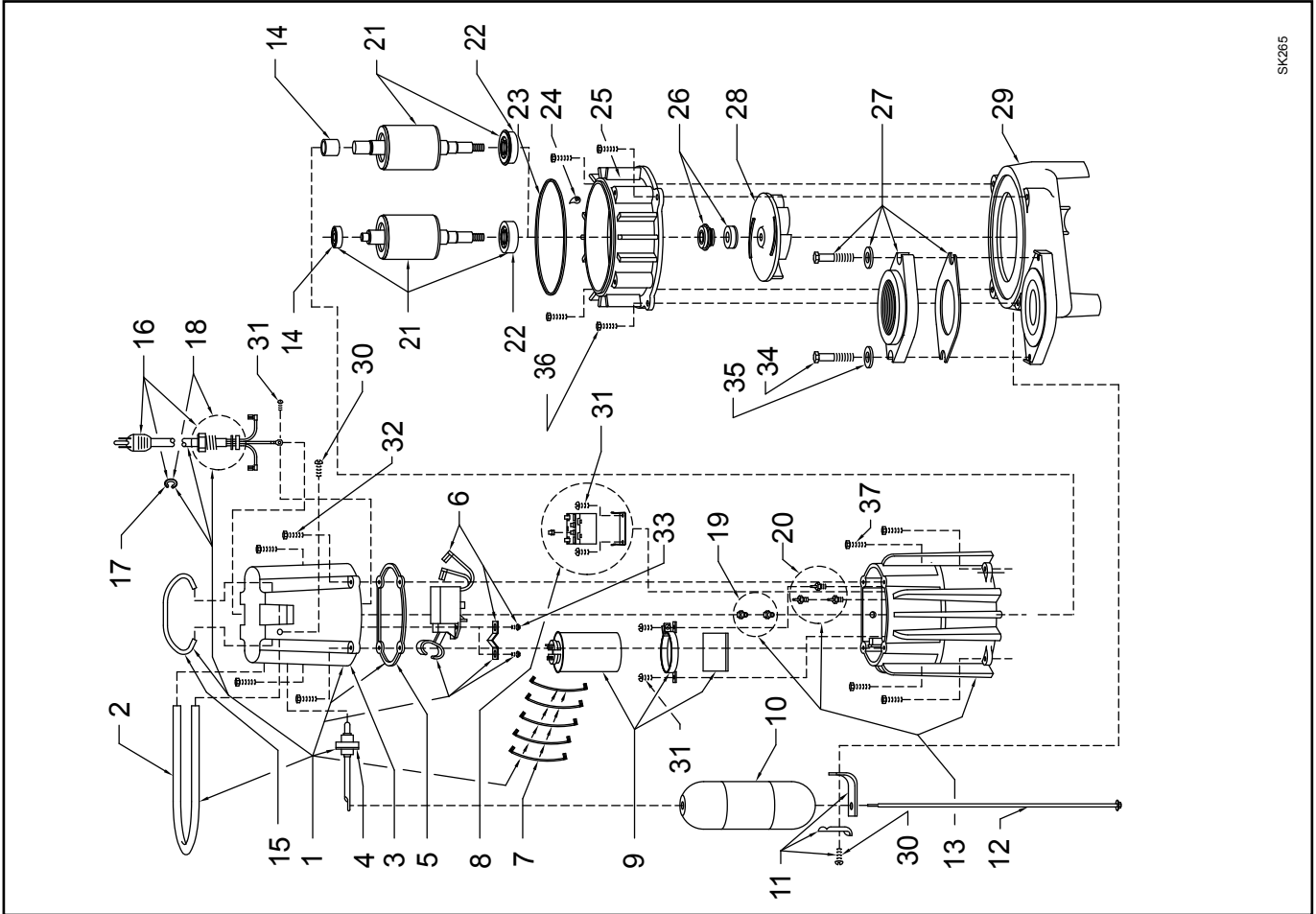
PUMP COMPANY

MAIL TO: P.O. BOX 16347 • Louisville, KY 40256-0347
 SHIP TO: 3649 Cane Run Road • Louisville, KY 40211-1961
 (502) 778-2731 • 1 (800) 928-PUMP • FAX (502) 774-3624

Your Peace of Mind is Our Top Priority®

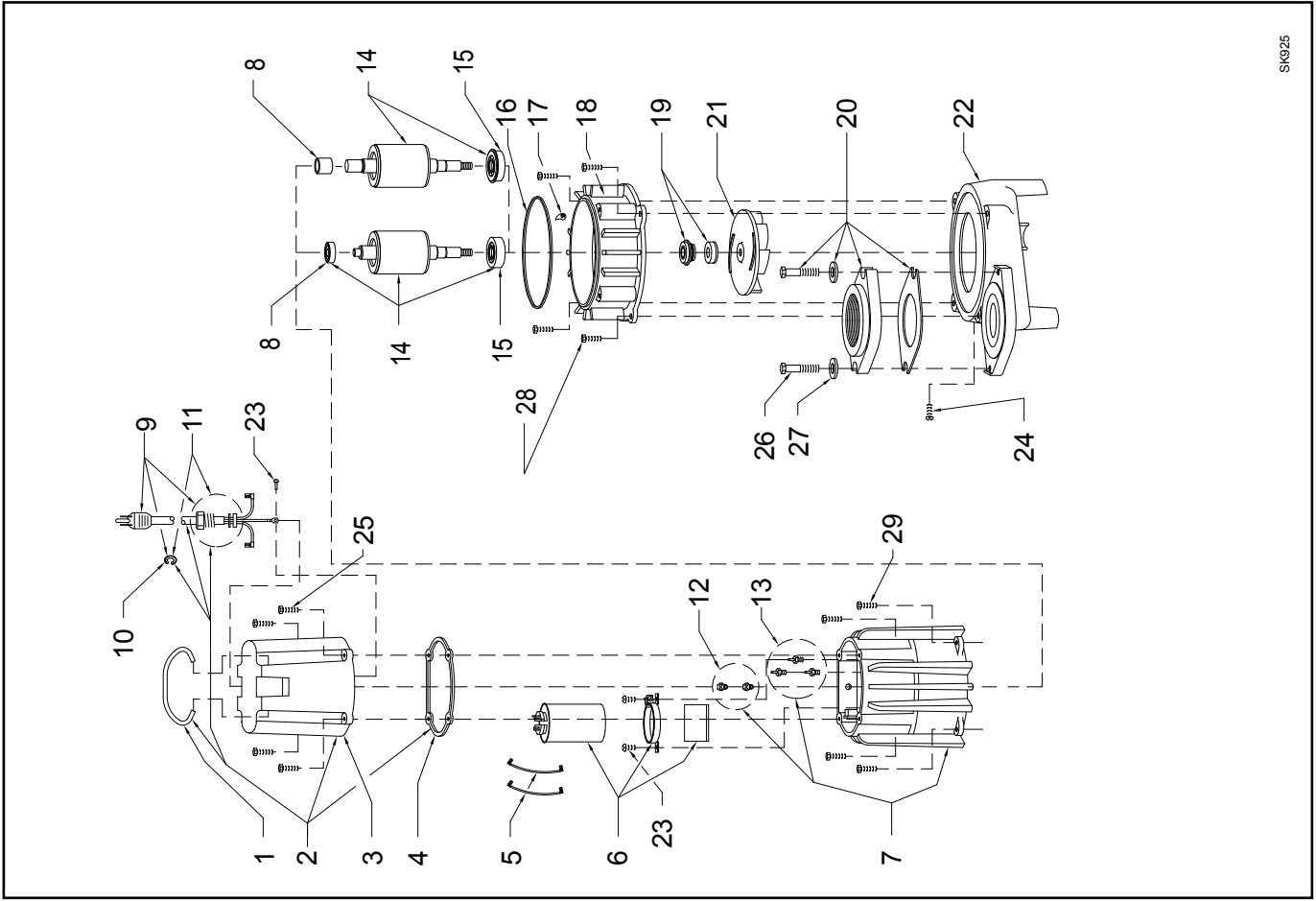
visit our web site:
www.zoeller.com

REPLACEMENT PARTS ILLUSTRATION FOR MODEL "D294"



SK265

REPLACEMENT PARTS ILLUSTRATION FOR MODEL "E294"



SK925