

Product information presented here reflects conditions at time of publication. Consult factory regarding discrepancies or inconsistencies.

PUMP COMPANY

Zoeller Family of Water Solutions™

MAIL TO: P.O. BOX 16347 • Louisville, KY 40256-0347
SHIP TO: 3649 Cane Run Road • Louisville, KY 40211-1961
(502) 778-2731 • 1 (800) 928-PUMP • FAX (502) 774-3624

visit our web site:
www.zoeller.com

REPLACEMENT PARTS LIST

FOR MODELS:

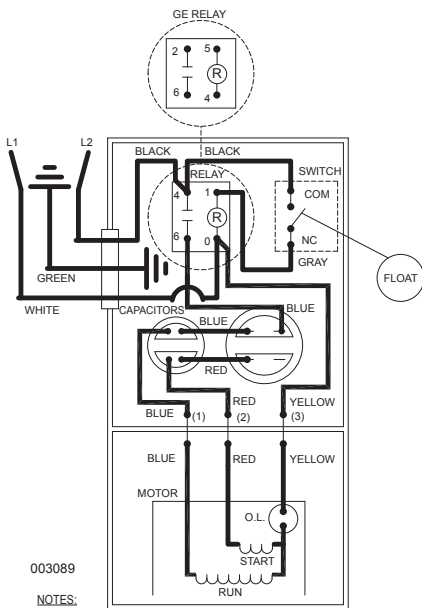
M163 AUTOMATIC 115V

D163 AUTOMATIC 230V

N163 NONAUTOMATIC 115V

E163 NONAUTOMATIC 230V

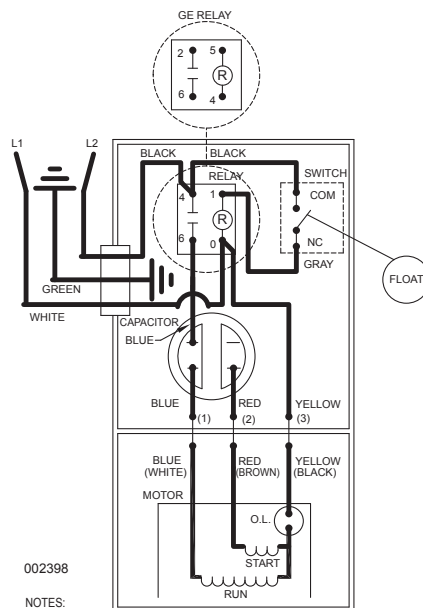
Consult factory for all other Models



003089
NOTES:

INSULATORS REQUIRED ON GE RELAY TERMINALS 2 & 5;
OMRON RELAY TERMINALS 1 & 4.

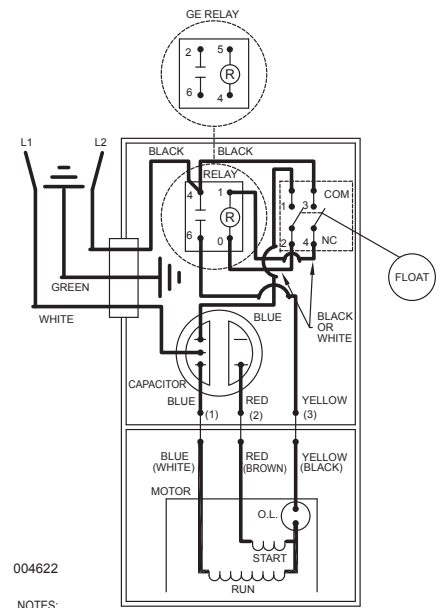
WIRING DIAGRAM FOR MODELS
"M163-A"
4/81 (PM) thru 12/82 (YN)



002398
NOTES:

INSULATORS REQUIRED ON GE RELAY TERMINALS 2 & 5;
OMRON RELAY TERMINALS 1 & 4.

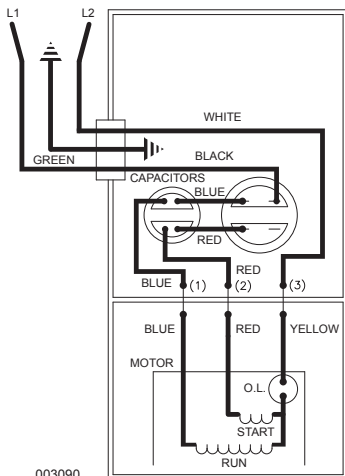
WIRING DIAGRAM FOR MODELS
"M163-B" and "M163-C"
"D163-A", "D163-B", "D163-C"
1/83 (MO) thru 8/86 (US)



004622
NOTES:

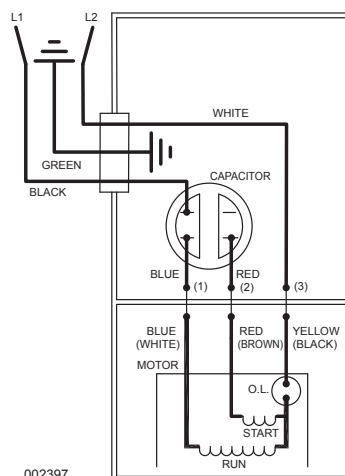
INSULATORS REQUIRED ON GE RELAY TERMINALS 2 & 5;
OMRON RELAY TERMINALS 1 & 4.

WIRING DIAGRAM FOR MODELS
"M163-D" and "D163-D"
9/86 (VS) to current



003090

WIRING DIAGRAM FOR MODELS
"N163-A"
"E163-A"
4/81 (PM) thru 12/82 (YN)



002397

WIRING DIAGRAM FOR MODELS
"N163-B" thru "N163-H"
"E163-B" thru "E163-E"
1/83 (MD) to current

TO ORDER REPLACEMENT PARTS:

PLEASE FURNISH THE FOLLOWING INFORMATION:

- Model Number.
- Part Number of Pump.
(If manufactured prior to June 1988, give 2 letter date code following Model No.)
- Part Number and Description of part.

REPLACEMENT PARTS LIST FOR MODELS "M163"

See page 6 for "M163" illustration.

REF. NO.	DESCRIPTION	QTY	NOTES	MODELS: M163-A									M163-B	M163-C	M163-D	M163-E	M163-F	M163-G	M163-H	M163-J
				4/81 PM thru 12/82 YN	1/83 MO thru 1/85 MR	2/85 NR thru 8/86 US	9/86 VS thru 7/90	8/90 thru 9/98	10/98 thru 4/03	5/03 thru 11/09	12/09 thru 1/16	2/16 thru Current								
1	Case, Sw. & Cord	1	3,4	002506	002506	002506	004746	006292	006292	014155	014155	014155								
2	• Handle	1		217069	217069	217069	217069	217069	217069	217069	217069	217069								
3	Cord, Term & Seal	1	3,4	002507	002507	002507	002507	006290	006290	014168	014168	014168								
4	Clamp, Strain Relief	1		001770	001770	001770	001770	NA	NA	013764	013764	013764								
5	• Seal, Cord-Asm & Str Rlf T&B 14ga	1		094032	094032	094032	094032	004375	004375	015634	015634	015634								
6	Case-Mach "189/295"	1	3,4	004746	004746	004746	004614	004633	004633	014154	014154	014154								
7	• Guard	1		001023	001023	001023	001023	001023	001023	001023	001023	001023								
8	• Arm & Seal Asm "160/180/290"	1		002379	002379	002379	004745	004745	004745	004745	004745	004745								
9	• Gasket, Case/Cover	1		001011	001011	001011	001011	001011	001011	001011	001011	001011								
10	Switch Asm "160/180/290"	1		002380	002380	002380	004744	004744	004744	004744	004744	004744								
□	Lead Wire (Gray)	1		002609	002609	002609	NA	NA	NA	NA	NA	NA								
11	• Wire Pkg (5) Wires	1		002496	001070	001070	004749	004749	004749	004749	004749	004749								
12	Capacitor & Clamp Asm 30uf	1	2	002381	003575	003575	003575	003575	003575	003575	003575	003575								
13	Relay	1		217092	217092	217092	217092	217092	217092	217092	217092	153832								
14	Float, Plastic	1		094039	094039	094039	094039	094039	094039	094039	094039	094039								
15	Guide Asm, Fit Rod	1		001072	001072	001072	001072	001072	001072	001072	001072	001072								
16	Rod Asm, Fit	1		003083	003083	003083	003083	003083	003082	003083	150439	150439								
17	Housing, Mtr-& Str 1Ph 163	1	1,7	002497	002497	002497	002497	002497	002497	002497	150580	150580								
18	Bearing, Upper Sleeve	1		001012	001012	001012	001012	001012	001012	001012	NA	NA								
	• Bearing, Upper Ball		NA	NA	NA	NA	NA	NA	NA	NA	006703	006703								
19	• Plug, Test-White	2		034090	034090	034090	034090	034090	034090	034090	034090	034090								
20	• Seal, Thru Wall Term	3		003402	003402	003402	003402	003402	003402	003402	003402	003402								
21	Rotor & Brg	1	7	002701	002701	002701	002701	002701	002701	002701	150574	150574								
22	Bearing, Radial	1		001013	001013	001013	001013	001013	001013	001013	010069	010069								
23	• Seal, Mtr Hsg	1		001014	001014	001014	001014	001014	001014	001014	001014	001014								
24	• Oil, Dielectric	1		002383	002383	002383	002383	002383	002383	003168	011066	011066								
25	Adapter-Mach 163/165/293	1		001003	001003	001003	001003	001003	001003	001003	001003	001003								
26	• Seal, Shaft	1		002430	002430	002430	002430	002430	002430	002430	002430	002430								
27	Flange Pkg 2" Npt	1		NA	NA	10-1305	10-1305	10-1305	10-1305	10-1305	10-1305	10-1305								
	Flange Pkg 3" Npt		NA	NA	10-1306	10-1306	10-1306	10-1306	10-1306	10-1306	10-1306	10-1306								
28	Impeller "163"	1		001059	001059	004216	004216	004216	004216	004216	004216	004216								
29	Housing,Pump-Mach 163/165	1		001044	001044	004214	004214	004214	004214	004214	004214	004214								
30	Strainer Plate	1		137008	137008	137008	137008	137008	137008	137008	137008	137008								
□	Capacitor & Clp 10uf	1	2	002505	NA	NA	NA	NA	NA	NA	NA	NA								
31	• Screw, .25-20 X .75 HHm-SS	4		001916	001916	001916	001916	001916	001916	001916	001916	001916								
32	• Screw, .313-18 X 1" HH Cap-SS	4		002608	002608	002608	002608	002608	002608	002608	002608	002608								
33	• Screw, #10-24 X.375 RHM-SI SS	2		001883	001883	001883	001883	001883	001883	001883	001883	001883								
34	• Screw, #6-32x.438 RhsItlp*1"Stlzi	2		001877	001877	001877	004644	004644	004644	004644	004644	004644								
35	• Sem, 10-24x.375HH-SI Tc.688 Wash	2		002000	002000	002000	002000	002000	002000	002000	002000	002000								
36	• Washer, SS-1.25"Odx.562"ldx.078	2		NA	NA	002115	002115	002115	002115	002115	002115	002115								
37	• Screw, .5-13 X 2 HH Cap-SS	2		NA	NA	001909	001909	001909	001909	001909	001909	001909								
38	• Screw, #6-32x.25RHm SI Tc Stlgr	5		001877	001877	001877	001877	001877	001877	001877	001877	001877								
39	• Screw, .25-20x1" HHm-SS	4		007790	007790	007790	007790	007790	007790	007790	007790	007790								
□	Rebuild Kit "160/185/293"			002509	002509	002509	004747	004747	004747	016103	019647	019647								

• Items included in Rebuild Kit.

□ Not shown in illustration.

NOTES:

- 1) Mtr. Hsg., Brg., Stator & Term. (Item 17) is preassembled at the factory and must be replaced as a unit. Stator is permanently attached to the Motor Housing. Plug (Item 19); Seal, Thru Wall Term. (Item 20) and Bearing - Upper (Item 18) are replaceable.
- 2) 115V units, date coded 4/81 (PM) through 12/82 (YN), required two capacitors; (Item 12) P/N 002381, capacitor and clamp assm. 20 uf; and P/N 002505, capacitor and clamp assm. 10 uf. Both can now be replaced by one capacitor P/N 003575, capacitor and clamp assm. 30 uf. 115V units date coded 1/83 (MO) and after require one capacitor, (Item 12), P/N 003575, capacitor and clamp assm. 30 uf. All 230V units require one capacitor, (Item 12), capacitor and clamp assm. 20 uf, P/N 002381.
- 3) When ordering these parts, customer must identify if switch is a General Electric switch.
- 4) If an "X" follows Model No., or Date Mfg. on ID tag, consult factory for ordering of this part.
- 5) See FM0160 Parts Price Sheet for listing of parts prices.
- 6) "NA" indicates, not applicable.
- 7) When ordering specify either GE or Emerson Motor.

REPLACEMENT PARTS LIST FOR MODELS "D163"

See page 6 for "D163" illustration.

REF. NO.	DESCRIPTION	QTY	NOTES	MODELS: D163-A					
				D163-B	D163-C	D163-D	D163-E	D163-F	
				4/81 PM thru 12/82 YN	1/83 MO thru 1/85 MR	2/85 NR thru 8/86 US	9/86 VS thru 11/09	12/09 thru 1/16	2/16 thru Current
1	Case, Sw.& Cord	1	3,4	002378	002378	002378	004748	004748	004748
2	• Handle	1		217069	217069	217069	217069	217069	217069
3	Cord, Term & Seal	1	3,4	002429	002429	002429	002429	002429	002429
4	Clamp, Strain Relief	1		001770	001770	001770	001770	001770	001770
5	• Seal, Cord-Asm & Str Rif T&B 14ga	1		094032	094032	094032	094032	094032	094032
6	Case-Mach "189/295"	1	3,4	004748	004748	004748	004614	004614	004614
7	• Guard	1		001023	001023	001023	001023	001023	001023
8	• Arm & Seal Asm "160/180/290"	1		002379	002379	002379	004745	004745	004745
9	• Gasket, Case/Cover	1		001011	001011	001011	001011	001011	001011
10	Switch Asm "160/180/290"	1		002380	002380	002380	004744	004744	004744
□	Lead Wire (Gray)	1		002609	002609	002609	NA	NA	NA
11	• Wire Pkg (5) Wires	1		002496	001070	001070	004749	004749	004749
12	Capacitor & Clamp Asm 30uf	1	2	002381	002381	002381	002381	002381	002381
13	Relay	1		217093	217093	217093	217093	217093	153833
14	Float, Plastic	1		094039	094039	094039	094039	094039	094039
15	Guide Asm, Flt Rod	1		001072	001072	001072	001072	001072	001072
16	Rod Asm, Flt	1		003083	003083	003083	003083	150439	150439
17	Housing, Mtr & Str 1Ph 163	1	1,7	002504	002504	002504	002504	150582	150582
18	Bearing, Upper Sleeve	1		001012	001012	001012	001012	NA	NA
	• Bearing, Upper Ball		NA	NA	NA	NA	006703	006703	
19	• Plug, Test-White	2		034090	034090	034090	034090	034090	034090
20	• Seal, Thru Wall Term	3		003402	003402	003402	003402	003402	003402
21	Rotor & Brg	1	7	002691	002691	002691	002691	150575	150575
22	Bearing, Radial	1		001013	001013	001013	001013	010069	010069
23	• Seal, Mtr Hsg	1		001014	001014	001014	001014	001014	001014
24	• Oil, Dielectric	1		002383	002383	002383	002383	011066	011066
25	Adapter-Mach 163/165/293	1		001003	001003	001003	001003	001003	001003
26	• Seal, Shaft	1		002430	002430	002430	002430	002430	002430
27	Flange Pkg 2" Npt	1		NA	NA	10-1305	10-1305	10-1305	10-1305
	Flange Pkg 3" Npt	1		NA	NA	10-1306	10-1306	10-1306	10-1306
28	Impeller "163"	1		001059	001059	004216	004216	004216	004216
29	Housing,Pump-Mach 163/165	1		001044	001044	004214	004214	004214	004214
30	Strainer Plate	1		137008	137008	137008	137008	137008	137008
□	Capacitor & Clp 10uf	1	2	002505	NA	NA	NA	NA	NA
31	• Screw, .25-20 X .75 HHm-SS	4		001916	001916	001916	001916	001916	001916
32	• Screw, .313-18 X 1" HH Cap-SS	4		002608	002608	002608	002608	002608	002608
33	• Screw, #10-24 X.375 RHM-SI SS	2		001883	001883	001883	001883	001883	001883
34	• Screw, #6-32x.438 Rhs1tp"1"Stlzi	2		001877	001877	001877	004644	004644	004644
35	• Sem, 10-24x.375HH-SI Tc.688 Wash	2		002000	002000	002000	002000	002000	002000
36	• Washer, SS-1.25"Odx.562"ldx.078	2		NA	NA	002115	002115	002115	002115
37	• Screw, .5-13 X 2 HH Cap-SS	1		NA	NA	001909	001909	001909	001909
38	• Screw, #6-32x.25RHM SI Tc Stlgr	5		001877	001877	001877	001877	001877	001877
39	• Screw, .25-20x1" HHm-SS	4		007790	007790	007790	007790	007790	007790
□	Rebuild Kit "160/185/293"			002509	002509	002509	004747	019647	019647

• Items included in Rebuild Kit.

□ Not shown in illustration.

NOTES:

- 1) Mtr. Hsg., Brg., Stator & Term. (Item 17) is preassembled at the factory and must be replaced as a unit. Stator is permanently attached to the Motor Housing. Plug (Item 19); Seal, Thru Wall Term. (Item 20) and Bearing - Upper (Item 18) are replaceable.
- 2) 115V units, date coded 4/81 (PM) through 12/82 (YN), required two capacitors; (Item 12) P/N 002381, capacitor and clamp assm. 20 uf; and P/N 002505, capacitor and clamp assm. 10 uf. Both can now be replaced by one capacitor P/N 003575, capacitor and clamp assm. 30 uf. 115V units date coded 1/83 (MO) and after require one capacitor, (Item 12), P/N 003575, capacitor and clamp assm. 30 uf. All 230V units require one capacitor, (Item 12), capacitor and clamp assm. 20 uf, P/N 002381.
- 3) When ordering these parts, customer must identify if switch is a General Electric switch.
- 4) If an "X" follows Model No., or Date Mfg. on ID tag, consult factory for ordering of this part.
- 5) See FM0160 Parts Price Sheet for listing of parts prices.
- 6) "NA" indicates, not applicable.
- 7) When ordering specify either GE or Emerson Motor.

REPLACEMENT PARTS LIST FOR MODELS "N163"

See page 6 for "N163" illustration.

REF. NO.	DESCRIPTION	QTY	NOTES	MODELS: N163-A							
				4/81 PM thru 12/82 YN	1/83 MO thru 1/85 MR	2/85 NR thru 8/86 US	9/86 VS thru 7/90	8/90 thru 9/98	10/98 thru 4/03	5/03 thru 11/09	12/09 thru Current
1	• Handle	1		217069	217069	217069	217069	217069	217069	217069	217069
2	Cover & Cord	1	2	002499	002499	002499	002499	006293	006293	014158	014158
3	Cord, Term, & Seal	1	2	002508	002508	002508	002508	006291	006291	014169	014169
4	Clamp, Strain Relief-Red	1	2	001770	001770	001770	001770	001770	001770	013764	013764
5	Seal Asm., Cord & Strain Relief	1	2	094032	094032	094032	094032	004375	004375	015634	015634
6	Cover-Mach 14ga Cd	1		001077	001077	001077	001077	004372	004372	014150	014150
7	• Gasket, Case/Cover	1		001011	001011	001011	001011	001011	001011	001011	001011
8	• Wire Pkg (5) Wires	1		002496	001070	001070	004749	004749	004749	004749	004749
9	Capacitor & Clamp Asm 30uf	1		002381	003575	003575	003575	003575	003575	003575	003575
10	Housing, Mtr & Str 1Ph 163	1	1,5	002497	002497	002497	002497	002497	002497	002497	150580
11	Bearing, Upper Sleeve	1		001012	001012	001012	001012	001012	001012	001012	NA
	Bearing, Upper Sleeve			NA	NA	NA	NA	NA	NA	NA	006703
12	• Plug, Test-White	2		034090	034090	034090	034090	034090	034090	034090	034090
13	Seal Thru Wall Term	3		003402	003402	003402	003402	003402	003402	003402	003402
14	Rotor & Brg	1	5	002701	002701	002701	002701	002701	002701	002701	150574
15	Bearing, Radial	1		001013	001013	001013	001013	001013	001013	001013	010069
16	• Seal, Mtr Hsg	1		001014	001014	001014	001014	001014	001014	001014	001014
17	• Oil, Dielectric	1		002383	002383	002383	002383	002383	002383	003168	011066
18	Adapter-Mach 163/165/293	1		001003	001003	001003	001003	001003	001003	001003	001003
19	• Seal, Shaft	1		002430	002430	002430	002430	002430	002430	002430	002430
20	Flange Pkg 2" Npt	1		NA	NA	10-1305	10-1305	10-1305	10-1305	10-1305	10-1305
	Flange Pkg 3" Npt	1		NA	NA	10-1306	10-1306	10-1306	10-1306	10-1306	10-1306
21	Impeller "163"	1		001059	001059	004216	004216	004216	004216	004216	004216
22	Housing, Pump-Mach 163/165	1		001044	001044	004214	004214	004214	004214	004214	004214
23	Strainer Plate	1		137008	137008	137008	137008	137008	137008	137008	137008
24	• Screw, .25-20 X .75 HHm-SS	4		001916	001916	001916	001916	001916	001916	001916	001916
25	• Screw, .313-18 X 1"HH Cap-SS	4		002608	002608	002608	002608	002608	002608	002608	002608
26	• Screw, #10-24 X.375 RHM-SI SS	1		001883	001883	001883	001883	001883	001883	001883	001883
27	• Sem, 10-24x.375HH-SI Tc.688 Wash	2		002000	002000	002000	002000	002000	002000	002000	002000
28	• Screw, .5-13 X 2 HH Cap-SS	2		NA	NA	001909	001909	001909	001909	001909	001909
29	• Washer, SS-1.25"Odx.562"Idx.078	2		NA	NA	002115	002115	002115	002115	002115	002115
30	• Screw, #6-32x.25RHM SI Tc Stlgr	3		001877	001877	001877	001877	001877	001877	001877	001877
31	• Screw, .25-20x1" HHm-SS	4		007790	007790	007790	007790	007790	007790	007790	007790
□	Rebuild Kit "160/185/293"			002509	002509	002509	004747	004747	004747	014193	019648

• Items included in Rebuild Kit.

□ Not shown in illustration.

NOTES:

- 1) Mtr. Hsg., Brg., Stator & Term. (Item 10) is preassembled at the factory and must be replaced as a unit. Stator is permanently attached to the Motor Housing. Plug (Item 12); Seal, Thru Wall Term. (Item 13) and Bearing - Upper (Item 15) are replaceable.
- 2) If an "X" follows Model No., or Date Mfg. on ID tag, consult factory for ordering of this part.
- 3) See FM0160 Parts Price Sheet for listing of parts prices.
- 4) "NA" indicates, not applicable.
- 5) When ordering specify either GE or Emerson Motor.

REPLACEMENT PARTS LIST FOR MODELS "E163"

See page 6 for "E163" illustration.

REF. NO.	DESCRIPTION	QTY	NOTES	MODELS: E163-A				
				E163-B	E163-C	E163-D	E163-E	
1	• Handle	1		4/81 PM thru 12/82 YN	1/83 MO thru 1/85 MR	2/85 NR thru 8/86 US	9/86 VS thru 11/09	12/09 thru Current
2	Cover & Cord	1	2	002401	002401	002401	002401	002401
3	Cord, Term, & Seal	1	2	002402	002402	002402	002402	002402
4	Clamp, Strain Relief	1	2	001770	001770	001770	001770	001770
5	Seal Asm., Cord & Strain Relief	1	2	094032	094032	094032	094032	094032
6	Cover-Mach 14ga Cd	1		001077	001077	001077	001077	001077
7	• Gasket, Case/Cover	1		001011	001011	001011	001011	001011
8	• Wire Pkg (5) Wires	1		002496	001070	001070	004749	004749
9	Capacitor & Clamp Asm 30uf	1		002381	002381	002381	002381	002381
10	Housing, Mtr-& Str 1Ph 163	1	1,5	002504	002504	002504	002504	150582
11	Bearing, Upper Sleeve	1		001012	001012	001012	001012	NA
	• Bearing, Upper Ball			NA	NA	NA	NA	006703
12	• Plug, Test-White	2		034090	034090	034090	034090	034090
13	Seal Thru Wall Term	3		003402	003402	003402	003402	003402
14	Rotor & Brg	1	5	002701	002701	002701	002701	150575
15	Bearing, Radial	1		001013	001013	001013	001013	010069
16	• Seal, Mtr Hsg	1		001014	001014	001014	001014	001014
17	• Oil, Dielectric	1		002383	002383	002383	002383	011066
18	Adapter-Mach 163/165/293	1		001003	001003	001003	001003	001003
19	• Seal, Shaft	1		002430	002430	002430	002430	002430
20	Flange Pkg 2" Npt	1		NA	NA	10-1305	10-1305	10-1305
	Flange Pkg 3" Npt	1		NA	NA	10-1306	10-1306	10-1306
21	Impeller "163"	1		001059	001059	004216	004216	004216
22	Housing, Pump-Mach 163/165	1		001044	001044	004214	004214	004214
23	Strainer Plate	1		137008	137008	137008	137008	137008
24	• Screw, .25-20 X .75 HHm-SS	4		001916	001916	001916	001916	001916
25	• Screw, .313-18 X 1"HH Cap-SS	4		002608	002608	002608	002608	002608
26	• Screw, #10-24 X.375 RHM-SI SS	1		001883	001883	001883	001883	001883
27	• Sem, 10-24x.375HH-SI Tc.688 Wash	2		002000	002000	002000	002000	002000
28	• Screw, .5-13 X 2 HH Cap-SS	2		NA	NA	001909	001909	001909
29	• Washer, SS-1.25"Odx.562"Idx.078	2		NA	NA	002115	002115	002115
30	• Screw, #6-32x.25RHM SI Tc Stlgr	3		001877	001877	001877	001877	001877
31	• Screw, .25-20x1" HHm-SS	4		007790	007790	007790	007790	007790
□	Rebuild Kit "160/185/293"			002509	002509	002509	004747	019648

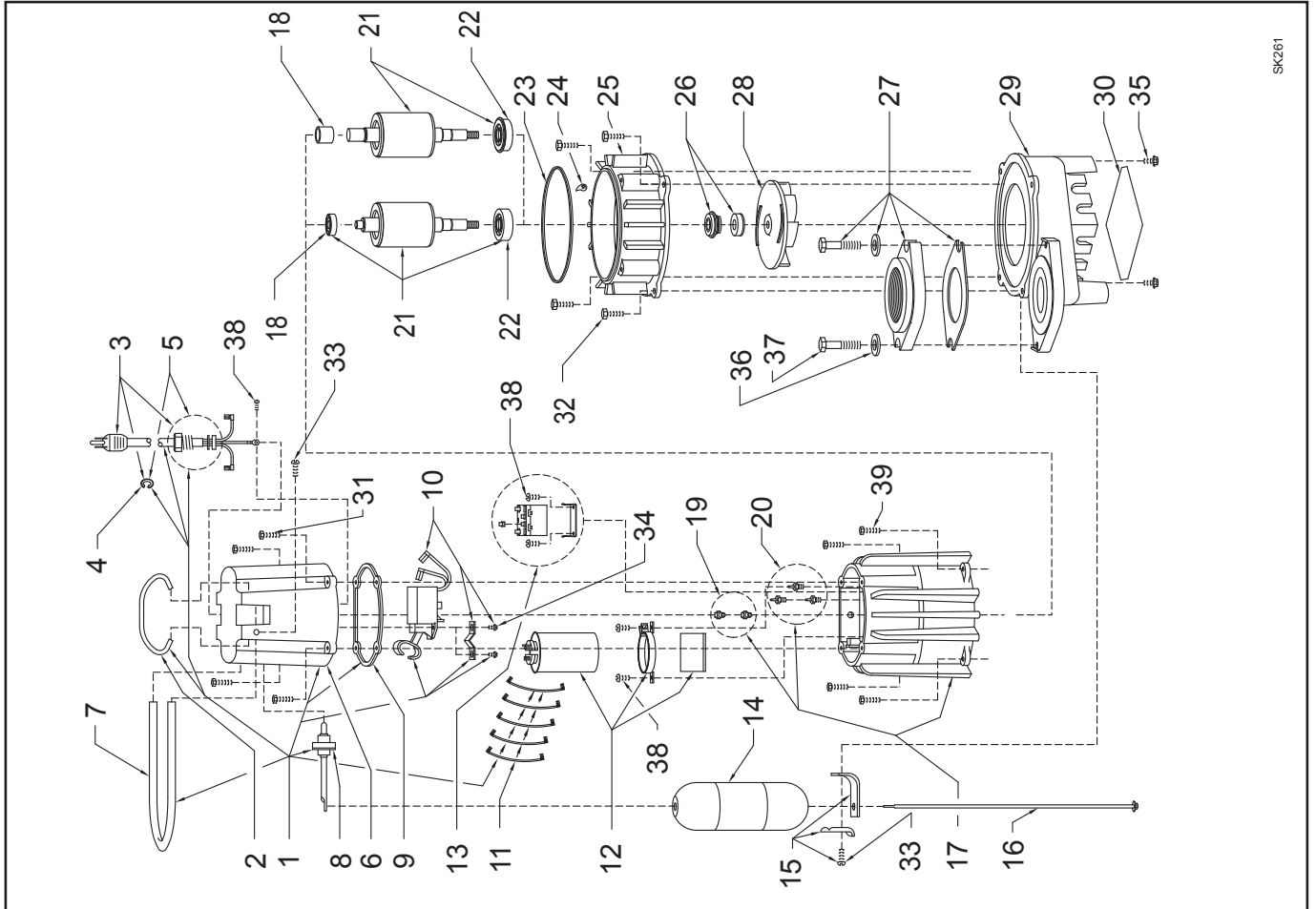
• Items included in Rebuild Kit.

□ Not shown in illustration.

NOTES:

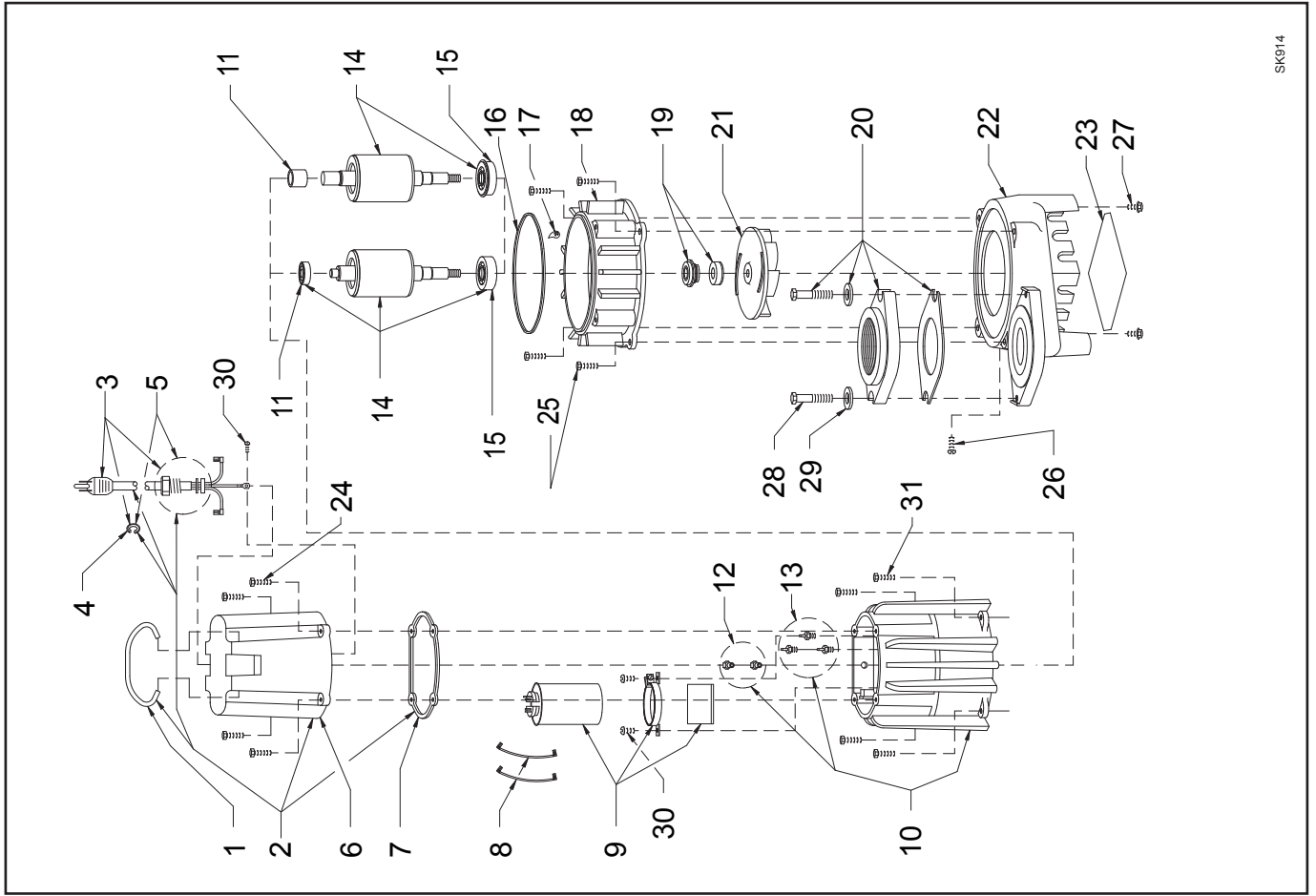
- 1) Mtr. Hsg., Brg., Stator & Term. (Item 10) is preassembled at the factory and must be replaced as a unit. Stator is permanently attached to the Motor Housing. Plug (Item 12); Seal, Thru Wall Term. (Item 13) and Bearing - Upper (Item 15) are replaceable.
- 2) If an "X" follows Model No., or Date Mfg. on ID tag, consult factory for ordering of this part.
- 3) See FM0160 Parts Price Sheet for listing of parts prices.
- 4) "NA" indicates, not applicable.
- 5) When ordering specify either GE or Emerson Motor.

REPLACEMENT PARTS ILLUSTRATION FOR MODELS "M163" AND "D163"



SK261

REPLACEMENT PARTS ILLUSTRATION FOR MODELS "N163" AND "E163"



SK914

NOTES



PUMP COMPANY

MAIL TO: P.O. BOX 16347 • Louisville, KY 40256-0347
SHIP TO: 3649 Cane Run Road • Louisville, KY 40211-1961
(502) 778-2731 • 1 (800) 928-PUMP • FAX (502) 774-3624

Your Peace of Mind is Our Top Priority®

visit our web site:
www.zoeller.com