

Product information presented here reflects conditions at time of publication. Consult factory regarding discrepancies or inconsistencies.

PUMP COMPANY

Zoeller Family of Water Solutions™

MAIL TO: P.O. BOX 16347 • Louisville, KY 40256-0347
SHIP TO: 3649 Cane Run Road • Louisville, KY 40211-1961
(502) 778-2731 • 1 (800) 928-PUMP • FAX (502) 774-3624

visit our web site:
www.zoeller.com

REPLACEMENT PARTS LIST FOR MODELS:

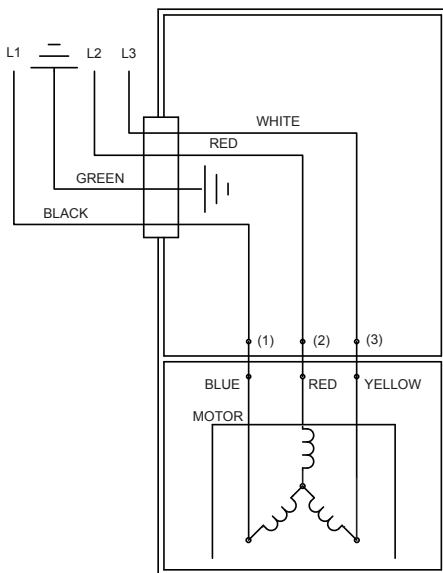
- E4291 NONAUTOMATIC/DOUBLE SEAL 230V/1PH**
- I4291 NONAUTOMATIC/DOUBLE SEAL 200V/1PH**
- F4291 NONAUTOMATIC/DOUBLE SEAL 230V/3PH**
- G4291 NONAUTOMATIC/DOUBLE SEAL 460V/3PH**
- J4291 NONAUTOMATIC/DOUBLE SEAL 200V/3PH**
- BA4291 NONAUTOMATIC/DOUBLE SEAL 575V/3PH**

Consult factory for all other models

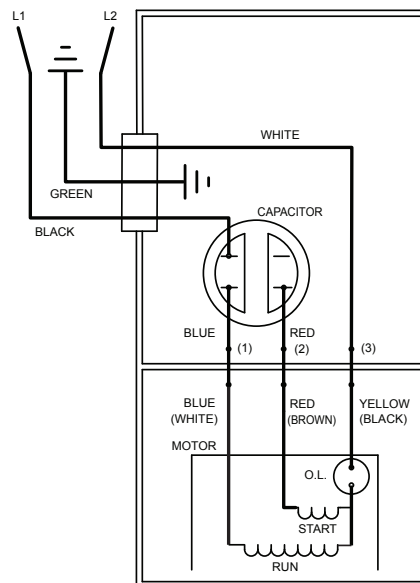
TO ORDER REPLACEMENT PARTS:

PLEASE FURNISH THE FOLLOWING INFORMATION:

- Model Number.
- Part Number of Pump.
- Part Number and Description of part.



WIRING DIAGRAM FOR MODELS
"F4291, "G4291", "J4291 & "BA4291" All Revisions
3/96 thru Current



WIRING DIAGRAM FOR MODELS
"E4291 & "I4291" All Revisions
3/96 thru Current

REPLACEMENT PARTS LIST FOR: "E4291 WITHOUT MOISTURE SENSORS" & "E4291 WITH MOISTURE SENSORS"

REF. NO.	DESCRIPTION	QTY.	NOTES	MODELS:				QTY.	NOTES	MODELS:		
				E4291-A	E4291-B	E4291-C	E4291-D			E4291-A*	E4291-B*	E4291-C*
				3/96 thru 7/01	8/01 thru 4/03	5/03 thru 5/08	6/08 thru Current			3/96 thru 7/01	8/01 thru 4/03	5/03 thru 5/08
1	Handle	1		217069	217069	217069	217069	1		217069	217069	217069
2	Cover & Cordage 12/3	1	5	011084	011084	016107	016107	1	5	011084	011084	016109
3	Cover-Mach & Handle Asm	1	5	011067	011067	016104	016104	1	5	011067	011067	016105
4	Gasket,Case/Cover	1		001011	001011	001011	001011	1		001011	001011	001011
5	Wire Pkg (2) Wires	1		011062	011062	011062	011062	1		011062	011062	011062
6	Capacitor & Clamp Asm 35uF	1		006135	006135	006135	006135	1		006135	006135	006135
7	Housing,Mtr- & Stator	1	1	004993	004993	004993	019233	1	1	004993	004993	004993
8	Bearing,Sleeve-Bronze	1		001012	001012	001012	NA	1		001012	001012	001012
	Bearing, Upper			NA	NA	NA	006703			NA	NA	NA
9	Cordage,Terminal & Seal 50' 12-3	1	5	011085	011085	016111	016111	1	5	011085	011085	016111
10	Sensor Cordage Term. & Seal 50'	NA		NA	NA	NA	011060	1		011060	011060	011060
11	Seal,Cord-Asm & Strain Relief	1	5	004375	004375	015634	015634	1	5	004375	004375	004375
12	Plug,Test White	3		034090	034090	034090	034090	3		034090	034090	034090
13	Seal,Thru Wall Term.	3		003402	003402	003402	003402	7		003402	003402	003402
14	Rotor & Brg. Asm.	1		011086	011086	011086	019231	1		011086	011086	011086
15	Washer,Seal Locating& Snap Ring	1		011057	011057	011057	011057	1		011057	011057	011057
16	Bearing,7303	1		009861	009861	009861	009861	1		009861	009861	009861
17	Seal,Mtr. Hsg.	2		001014	001014	001014	001014	2		001014	001014	001014
18	Oil,Dielectric	1		011066	011066	011066	014118	1		011066	011066	011066
19	Adapter-Mach. Upper	1		008862	008862	008862	008862	1		008835	008835	008835
20	Seal,Shaft - Upper	1	6	002430	014675	014675	014675	1	6	002430	014675	014675
	Seal,Shaft - Lower		7	002430	014642	014642	014642		7	002430	014642	014642
21	Adapter-Mach Lower	1		008833	008833	008833	008833	1		008833	008833	008833
22	Impeller "4291"	1		011088	011088	011088	011088	1		011088	011088	011088
23	Flange Pkg 2"NPT	1		10-1305	10-1305	10-1305	10-1305	1		10-1305	10-1305	10-1305
	Flange Pkg 3"NPT			10-1306	10-1306	10-1306	10-1306			10-1306	10-1306	10-1306
24	Housing,Pump-Mach "4290/4291"	1		009349	009349	009349	009349	1		009349	009349	009349
25	Screw,#6-32 x .25RHM SL Tc Stlgr	3		001877	001877	001877	001877	3		001877	001877	001877
26	Screw,.25-20 x .75 HHm-SS	4		001916	001916	001916	001916	4		001916	001916	001916
27	Screw,.25-20 x 1 HHm-SS	4		007790	007790	007790	007790	4		007790	007790	007790
28	Screw,.5-13 x 2 HH Cap-SS	2		001909	001909	001909	001909	2		001909	001909	001909
29	Washer,SS-1.25Od x .562ld x .078	2		002115	002115	002115	002115	2		002115	002115	002115
30	Screw,.313-18 x 1 HH Cap-SS	8		002608	002608	002608	002608	8		002608	002608	002608
31	Wire,Asm-Mst Sensor	NA		NA	NA	NA	NA	2		009128	009128	009128
32	Seal,Sensor Cd Asm. & Strain Relief	NA		NA	NA	NA	NA	1		011064	011064	011064
33	Spring, Bearing Preload	1		NA	NA	NA	017192	1		NA	NA	NA
▣	Rebuild Kit	1		011095	011095	016244	019709	1		011095	011095	016244

• Items included in Rebuild Kit. ▣ Not shown in illustration. * With Moisture Sensors

REPLACEMENT PARTS LIST FOR: "I4291" & "J4291"

REF. NO.	DESCRIPTION	QTY.	NOTES	MODELS:				MODELS:			
				I4291-A	I4291-B	I4291-C	I4291-D	J4291-A	J4291-B	J4291-C	J4291-D
				3/96 thru 7/01	8/01 thru 4/03	5/03 thru 5/08	6/08 thru Current	3/96 thru 7/01	8/01 thru 4/03	5/03 thru 5/08	6/08 thru Current
1	Handle	1		217069	217069	217069	217069	217069	217069	217069	217069
2	Cover & Cordage 12/3	1	5	011084	011084	016107	016107	011089	011089	016108	016108
3	Cover-Mach & Handle Asm	1	5	011067	011067	016104	016104	011067	011067	016104	016104
4	Gasket,Case/Cover	1		001011	001011	001011	001011	001011	001011	001011	001011
5	Wire Pkg (2) Wires	1		011062	011062	011062	011062	NA	NA	NA	NA
6	Capacitor & Clamp Asm 35uF	1		006135	006135	006135	006135	NA	NA	NA	NA
7	Housing,Mtr- & Stator	1	1	004993	004993	004993	019234	005132	005132	005132	019235
8	Bearing,Sleeve-Bronze	1		001012	001012	001012	NA	001012	001012	001012	NA
	Bearing, Upper			NA	NA	NA	006703	NA	NA	NA	006703
9	Cordage,Terminal & Seal 50' 12-3	1	5	011085	011085	016111	016111	011091	011091	016112	016112
10	Sensor Cordage Term. & Seal 50'	NA		NA	NA	NA	NA	NA	NA	NA	NA
11	Seal,Cord-Asm & Strain Relief	1	5	004375	004375	015634	015634	004375	004375	015634	015634
12	Plug,Test White	3		034090	034090	034090	034090	034090	034090	034090	034090
13	Seal,Thru Wall Term.	3		003402	003402	003402	003402	003402	003402	003402	003402
14	Rotor & Brg. Asm.	1		011086	011086	011086	019231	019231	019231	011086	019232
15	Washer,Seal Locating& Snap Ring	1		011057	011057	011057	011057	011057	011057	011057	011057
16	Bearing,7303	1		009861	009861	009861	009861	009861	009861	009861	009861
17	Seal,Mtr. Hsg.	2		001014	001014	001014	001014	001014	001014	001014	001014
18	Oil,Dielectric	1		011066	011066	011066	014118	014118	014118	011066	014118
19	Adapter-Mach. Upper	1		008862	008862	008862	008862	008862	008862	008862	008862
20	Seal,Shaft - Upper	1	6	002430	014675	014675	014675	002430	014675	014675	014675
	Seal,Shaft - Lower		7	002430	014642	014675	014642	002430	014642	014642	014642
21	Adapter-Mach Lower	1		008833	008833	008833	008833	008833	008833	008833	008833
22	Impeller "4291"	1		011088	011088	011088	011088	011082	011082	011082	011082
23	Flange Pkg 2"NPT	1		10-1305	10-1305	10-1305	10-1305	10-1305	10-1305	10-1305	10-1305
	Flange Pkg 3"NPT			10-1306	10-1306	10-1306	10-1306	10-1306	10-1306	10-1306	10-1306
24	Housing,Pump-Mach "4290/4291"	1		009349	009349	009349	009349	009349	009349	009349	009349
25	Screw,#6-32 x .25RHM SL Tc Stlgr	3		001877	001877	001877	001877	001877	001877	001877	001877
26	Screw,.25-20 x .75 HHm-SS	4		001916	001916	001916	001916	001916	001916	001916	001916
27	Screw,.25-20 x 1 HHm-SS	4		007790	007790	007790	007790	007790	007790	007790	007790
28	Screw,.5-13 x 2 HH Cap-SS	2		001909	001909	001909	001909	001909	001909	001909	001909
29	Washer,SS-1.25Od x .562ld x .078	2		002115	002115	002115	002115	002115	002115	002115	002115
30	Screw,.313-18 x 1 HH Cap-SS	8		002608	002608	002608	002608	002608	002608	002608	002608
31	Wire,Asm-Mst Sensor	NA		NA	NA	NA	NA	NA	NA	NA	NA
32	Seal,Sensor Cd Asm. & Strain Relief	NA		NA	NA	NA	NA	NA	NA	NA	NA
33	Spring, Bearing Preload	1		NA	NA	NA	017192	NA	NA	NA	017192
▣	Rebuild Kit	1		011095	011095	016244	019709	011095	011095	016244	019709

• Items included in Rebuild Kit. ▣ Not shown in illustration. © Copyright 2011 Zoeller Co. All rights reserved.

REPLACEMENT PARTS LIST FOR: "F4291" & "G4291"

MODELS:				F4291-A	F4291-B	F4291-C	G4291-A	G4291-B	G4291-C
REF. NO	DESCRIPTION	QTY	NOTES	3/96 thru 7/01	8/01 thru 5/08	6/08 thru Current	3/96 thru 7/01	8/01 thru 5/08	6/08 thru Current
1	• Handle	1		217069	217069	217069	217069	217069	217069
2	Cover & Cordage 12/3	1	5	011072	011072	011072	011072	011072	011072
3	Cover-Mach & Handle Asm	1	5	011058	011058	011058	011058	011058	011058
4	• Gasket,Case/Cover	1		001011	001011	001011	001011	001011	001011
5	• Wire Pkg (2) Wires	NA		NA	NA	NA	NA	NA	NA
6	Capacitor & Clamp Asm 35uF	NA		NA	NA	NA	NA	NA	NA
7	Housing,Mtr-& Stator	1	1	005136	005136	019236	004578	004578	019237
8	Bearing,Sleeve-Bronze	1		001012	001012	NA	001012	001012	NA
	Bearing, Upper			NA	NA	006703	NA	NA	006703
9	Cordage,Terminal & Seal 50' 12-3	1	5	011070	011070	011070	011070	011070	011070
10	Sensor Cordage Term. & Seal 50'	NA		NA	NA	NA	NA	NA	NA
11	• Seal,Cord-Asm & Strain Relief	1	5	011071	011071	011071	011071	011071	011071
12	• Plug,Test White	3		034090	034090	034090	034090	034090	034090
13	• Seal,Thru Wall Term.	3		003402	003402	003402	003402	003402	003402
14	Rotor & Brg. Asm.	1		011081	011081	019232	011081	011081	019232
15	Washer,Seal Locating& Snap Ring	1		011057	011057	011057	011057	011057	011057
16	• Bearing,7303	1		009861	009861	009861	009861	009861	009861
17	• Seal,Mtr. Hsg.	2		001014	001014	001014	001014	001014	001014
18	• Oil,Dielectric	1		011066	011066	014118	014118	014118	014118
19	Adapter-Mach. Upper	1		008862	008862	008862	008862	008862	008862
20	• Seal,Shaft - Upper	1	6	002430	014675	014675	002430	014675	014675
	• Seal,Shaft - Lower		7	002430	014642	014642	002430	014642	014642
21	Adapter-Mach Lower	1		008833	008833	008833	008833	008833	008833
22	Impeller "4291"	1		011082	011082	011082	011082	011082	011082
23	Flange Pkg 2"NPT	1		10-1305	10-1305	10-1305	10-1305	10-1305	10-1305
	Flange Pkg 3"NPT			10-1306	10-1306	10-1306	10-1306	10-1306	10-1306
24	Housing,Pump-Mach "4290/4291"	1		009349	009349	009349	009349	009349	009349
25	• Screw,#6-32 x .25RHM SL Tc Stlgr	3		001877	001877	001877	001877	001877	001877
26	• Screw,.25-20 x .75 HHm-SS	4		001916	001916	001916	001916	001916	001916
27	• Screw,.25-20 x 1 HHm-SS	4		007790	007790	007790	007790	007790	007790
28	• Screw,.5-13 x 2 HH Cap-SS	2		001909	001909	001909	001909	001909	001909
29	• Washer,SS-1.25Od x .562ld x .078	2		002115	002115	002115	002115	002115	002115
30	• Screw,.313-18 x 1 HH Cap-SS	8		002608	002608	002608	002608	002608	002608
31	Wire,Asm-Mst Sensor	NA		NA	NA	NA	NA	NA	NA
32	Seal,Sensor Cd Asm. & Strain Relief	NA		NA	NA	NA	NA	NA	NA
33	Spring, Bearing Preload	1		NA	NA	017192	NA	NA	017192
□	Rebuild Kit	1		011095	011095	019709	011095	011095	019709

• Items included in Rebuild Kit. □ Not shown in illustration.

REPLACEMENT PARTS LIST FOR: "BA4291"

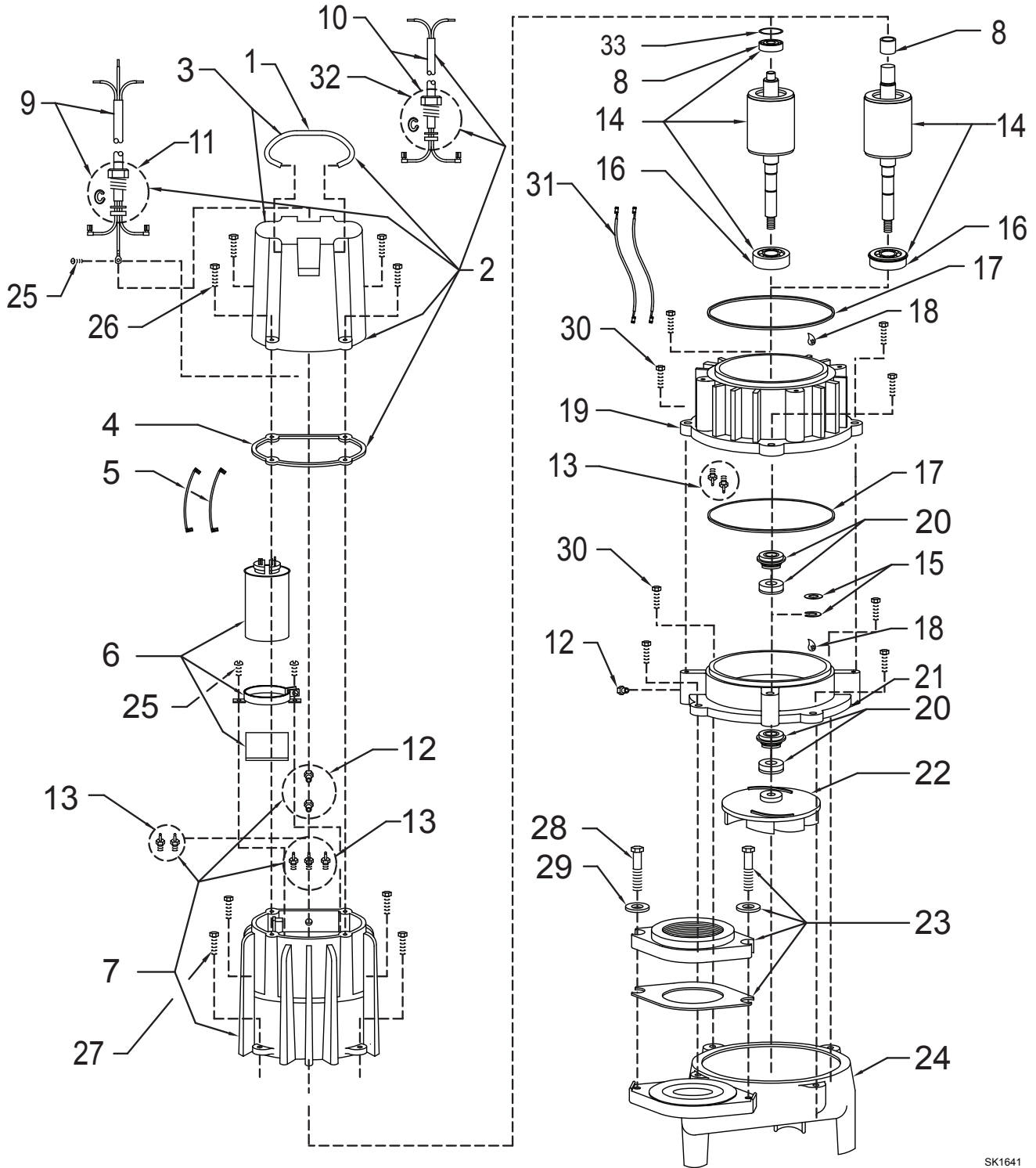
MODELS:				BA4291-A	BA4291-B	BA4291-C
REF. NO	DESCRIPTION	QTY	NOTES	3/96 thru 7/01	8/01 thru 5/08	6/08 thru Current
1	• Handle	1		217069	217069	217069
2	Cover & Cordage 12/3	1	5	011072	011072	011072
3	Cover-Mach & Handle Asm	1	5	011058	011058	011058
4	• Gasket,Case/Cover	1		001011	001011	001011
5	• Wire Pkg (2) Wires	NA		NA	NA	NA
6	Capacitor & Clamp Asm 35uF	NA		NA	NA	NA
7	Housing,Mtr-& Stator	1	1	006288	006288	019238
8	Bearing,Sleeve-Bronze	1		001012	001012	NA
	Bearing, Upper			NA	NA	006703
9	Cordage,Terminal & Seal 50' 12-3	1	5	011070	011070	011070
10	Sensor Cordage Term. & Seal 50'	NA		NA	NA	NA
11	• Seal,Cord-Asm & Strain Relief	1	5	011071	011071	011071
12	• Plug,Test White	3		034090	034090	034090
13	• Seal,Thru Wall Term.	3		003402	003402	003402
14	Rotor & Brg. Asm.	1		011081	011081	019232
15	Washer,Seal Locating& Snap Ring	1		011057	011057	011057
16	• Bearing,7303	1		009861	009861	009861
17	• Seal,Mtr. Hsg.	2		001014	001014	001014
18	• Oil, Dielectric	1		011066	011066	014118
19	Adapter-Mach. Upper	1		008862	008862	008862
20	• Seal,Shaft - Upper	1	6	002430	014675	014675
	• Seal,Shaft - Lower		7	002430	014642	014642
21	Adapter-Mach Lower	1		008833	008833	008833
22	Impeller "4291"	1		011082	011082	011082
23	Flange Pkg 2"NPT	1		10-1305	10-1305	10-1305
	Flange Pkg 3"NPT			10-1306	10-1306	10-1306
24	Housing,Pump-Mach "4290/4291"	1		009349	009349	009349
25	• Screw,#6-32 x .25RHM SL Tc Stlgr	3		001877	001877	001877
26	• Screw,.25-20 x .75 HHm-SS	4		001916	001916	001916
27	• Screw,.25-20 x 1 HHm-SS	4		007790	007790	007790
28	• Screw,.5-13 x 2 HH Cap-SS	2		001909	001909	001909
29	• Washer,SS-1.25Od x .562ld x .078	2		002115	002115	002115
30	• Screw,.313-18 x 1 HH Cap-SS	8		002608	002608	002608
31	Wire,Asm-Mst Sensor	NA		NA	NA	NA
32	• Seal,Sensor Cd Asm. & Strain Relief	NA		NA	NA	NA
33	Spring, Bearing Preload	1		NA	NA	017192
□	Rebuild Kit	1		011093	011093	019709

• Items included in Rebuild Kit. □ Not shown in illustration.

NOTES FOR ALL 4291 MODELS:

- 1) Motor housing, bearing, stator & term. (Item 7) is preassembled at the factory and must be replaced as a unit. Stator is permanently attached to the motor housing. Plug (Item 12); seal thru wall term. (Item 13) and bearing-upper (Item 8) are replaceable.
- 2) "NA" indicates not applicable.
- 3) When ordering specify either General Electric or Emerson Motor.
- 4) See FM0160 parts price sheet for listing of parts prices.
- 5) Consult factory for pumps date coded prior to 5/96.
- 6) Shaft seal in Rev. A pumps may be replaced with Carbon - Silicon Carbide seal. Order part number from Rev. B column if customer desires this upgrade.
- 7) Shaft seal in Rev. A pumps may be replaced with Silicon Carbide - Silicon Carbide seal. Order part number from Rev. B column if customer desires this upgrade.

REPLACEMENT PARTS ILLUSTRATION FOR ALL 4291 MODELS



SK1641



PUMP COMPANY

MAIL TO: P.O. BOX 16347 • Louisville, KY 40256-0347
 SHIP TO: 3649 Cane Run Road • Louisville, KY 40211-1961
 (502) 778-2731 • 1 (800) 928-PUMP • FAX (502) 774-3624

Your Peace of Mind is Our Top Priority®

visit our web site:
www.zoeller.com