

Product information presented here reflects conditions at time of publication. Consult factory regarding discrepancies or inconsistencies.



PUMP COMPANY

Zoeller Family of Water Solutions™

MAIL TO: P.O. BOX 16347 • Louisville, KY 40256-0347
 SHIP TO: 3649 Cane Run Road • Louisville, KY 40211-1961
 (502) 778-2731 • 1 (800) 928-PUMP • FAX (502) 774-3624

visit our web site:
www.zoeller.com

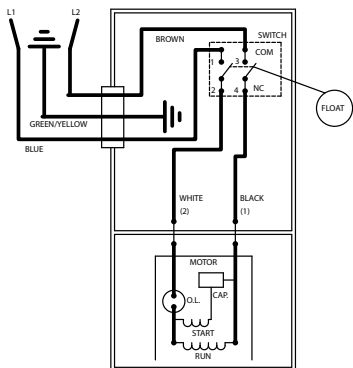
REPLACEMENT PARTS LIST FOR MODELS:

- M264 AUTOMATIC 115V**
- N264 NONAUTOMATIC 115V**
- WM264 AUTOMATIC w/wired float switch 115V**
- D264 AUTOMATIC 230V**
- E264 NONAUTOMATIC 230V**

TO ORDER REPLACEMENT PARTS:

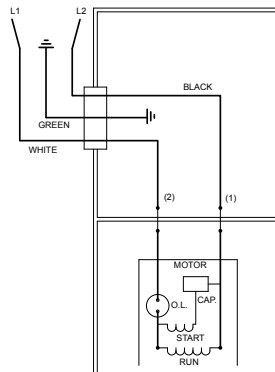
PLEASE FURNISH THE FOLLOWING INFORMATION:

- Model Number.
- Part Number of Pump.
- Part Number and Description of part.



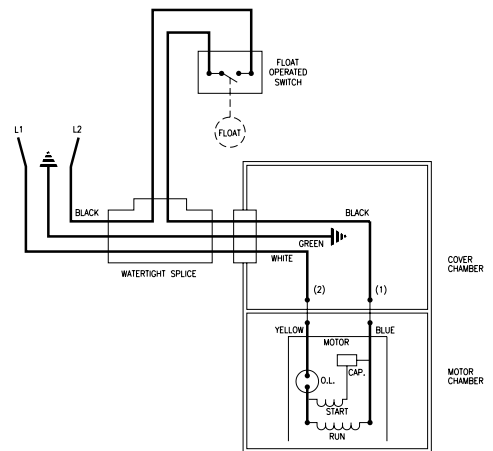
009060B

WIRING DIAGRAM FOR MODELS
 "M264-A" and "D264-A"
 6/96 thru Current



009059B

WIRING DIAGRAM FOR MODELS
 "N264-A" and "E264-A"
 6/96 thru Current



010908B

WIRING DIAGRAM FOR MODEL
 "WM264-A"
 6/96 thru Current

REPLACEMENT PARTS LIST FOR MODELS "M264" and "D264".

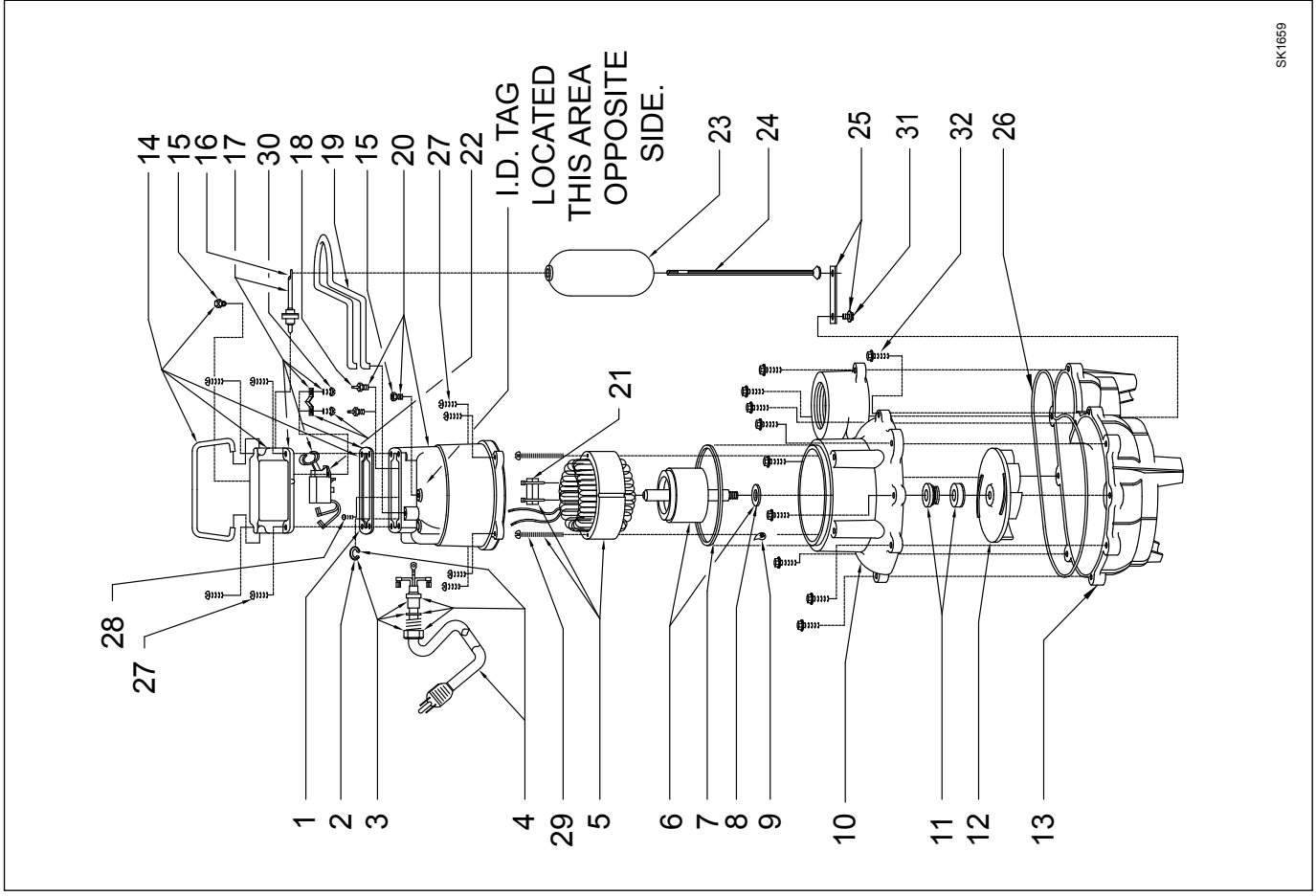
REF. NO.	DESCRIPTION	MODELS: M264-A		M264-B		D264-A		D264-B	
		QTY	NOTES	6/96 thru 7/09	8/09 Current	6/96 thru 7/09	8/09 Current	6/96 thru 7/09	8/09 Current
1	GASKET, CASE/COVER	1		034046	034046	034046	034046	034046	034046
2	CLAMP, STRAIN RELIEF	1		004200	N/A	004200	N/A	004200	N/A
3	SEAL,CORD-ASM "264"	1	1	006923	006923	006923	006923	006923	006923
4	CORD TERM & SEAL	1	1	010925	010925	010926	010926	010926	010926
5	STATOR W/SCREWS 115V/1PH (HPIC or TPIC)	3		012084	012084	N/A	N/A	N/A	N/A
	STATOR W/SCREWS 230V/1PH (TPIC)	1		010271	010271	N/A	N/A	N/A	N/A
	STATOR W/SCREWS 115V/1PH (GE)	3		N/A	N/A	010272	010272	010272	010272
6	ROTOR ASM 115V/230V 1PH (HPIC or TPIC)	1		012085	012085	012085	012085	012085	012085
7	ROTOR ASM 115V/230V 1PH (GE)	1		010270	010270	010270	010270	010270	010270
8	SEAL,MTR HSG	1		034007	034007	034007	034007	034007	034007
9	WASHER,TRST-NYL .875X.504	1		002140	002140	002140	002140	002140	002140
10	OIL DIELECTRIC-(30.5 OZ)	1		007051	007051	007051	007051	007051	007051
11	HOUSING,PUMP-MACH "264"	1		010718	010718	010718	010718	010718	010718
12	SEAL ASM;SHAFT-BLISTER PK	1		267027	267027	267027	267027	267027	267027
13	IMPELLER	1		002570	002570	002570	002570	002570	002570
14	BASE, PLASTIC	1		005199	005199	005199	005199	005199	005199
15	CASE HANDLE & ARM	1		011494	011494	011494	011494	011494	011494
16	PLUG, TEST-WHITE	2		034090	034090	034090	034090	034090	034090
17	ARM & SEAL ASM	1		011509	011509	011509	011509	011509	011509
18	CASE & SWITCH	1		011511	011511	011511	011511	011511	011511
19	SEAL THRU WALL TERM	2		003402	003402	003402	003402	003402	003402
20	GUARD	1		010717	010717	010717	010717	010717	010717
21	HOUSING,MTR	1		004712	004712	004712	004712	004712	004712
22	CAPACITOR	1		007642	007642	007642	007642	007642	007642
23	SWITCH ASM	1		004705	004705	004705	004705	004705	004705
24	FLOAT-POLYPROPYLENE	1		034019	034019	034019	034019	034019	034019
25	ROD,FLOAT-MOLDED	1		010935	010935	010935	010935	010935	010935
26	GUIDE ASM,FLT ROD	1		005477	005477	005477	005477	005477	005477
27	O-RING	1		005701	005701	005701	005701	005701	005701
28	SCREW,#10-24 X.75 RHM-SL	8		001885	001885	001885	001885	001885	001885
29	SCREW,#6-32X.25 RHM SL TC	1		001877	001877	001877	001877	001877	001877
30	SCREW,#8-32 X 2.563 RHPL	2		001914	001914	001914	001914	001914	001914
31	SCREW,#6-32X.43RHLP-1"	2		004644	004644	004644	004644	004644	004644
32	SEM.10-12X.5HA-SL SHMT	1		003229	003229	003229	003229	003229	003229
33	SCREW,#10-10X1-UNSLTD HE	10		005326	005326	005326	005326	005326	005326
34	REBUILD KIT "264"	1		011515	011515	011515	011515	011515	011515

* Items included in Rebuild Kit. □ Not Shown in Illustration.

NOTES:

- 1) If an "X" follows Model No., of Date Mfg. on brass ID tag, consult factory for ordering of this part.
- 2) See FM0160 Parts Price Sheet for listing of parts prices.
- 3) Kits are supplied with two different size screws for mounting stators. During assembly verify length and ensure the screws are seated properly.

REPLACEMENT PARTS ILLUSTRATION FOR MODELS "M264" and "D264"



REPLACEMENT PARTS LIST FOR MODELS "N264" and "E264".

REF. NO.	DESCRIPTION	MODELS: N264-A			MODELS: N264-B			MODELS: E264-A			MODELS: E264-B		
		QTY	NOTES	6/96 thru 7/09	8/09 thru Current	6/96 thru 7/09	8/09 thru Current	6/96 thru 7/09	8/09 thru Current	6/96 thru 7/09	8/09 thru Current		
1	GASKET, CASE/COVER	1		034046	034046	034046	034046	034046	034046	034046	034046		
2	CLAMP, STRAIN RELIEF	1		004200	N/A	004200	N/A	004200	N/A	004200	N/A		
3	SEAL, CORD-ASM "264"	1	1	006923	006923	006923	006923	006923	006923	006923	006923		
4	CORD TERM & SEAL 15'	1	1	010927	010927	010927	010927	010927	010927	010927	010927		
5	STATOR W/SCREWS 115V/1PH (HPIC OR TPIC)	1	3	012084	012084	012084	012084	012084	012084	012084	012084		
	N/A			N/A	N/A	N/A	N/A	N/A	N/A	N/A	N/A	N/A	
	010271			010271	010271	010271	010271	010271	010271	010271	010271	010271	
6	STATOR W/SCREWS 230V/1PH (GE)	1	3	N/A	N/A	N/A	N/A	010272	010272	010272	010272		
	012085			012085	012085	012085	012085	012085	012085	012085	012085	012085	
7	ROTOR ASM 115/230V 1PH (HPIC OR TPIC)	1		010270	010270	010270	010270	010270	010270	010270	010270		
	034007			034007	034007	034007	034007	034007	034007	034007	034007	034007	
8	SEAL, MTR. HSG	1		002140	002140	002140	002140	002140	002140	002140	002140		
9	WASHER, TRST-NYL .875X.504	1		007051	007051	007051	007051	007051	007051	007051	007051		
10	OIL DIELECTRIC-(30.5 OZ)	1		010718	010718	010718	010718	010718	010718	010718	010718		
11	HOUSING,PUMP-MACH "264"	1		267027	267027	267027	267027	267027	267027	267027	267027		
12	SEAL,ASM,SHAFT-BLISTER PK	1		002570	002570	002570	002570	002570	002570	002570	002570		
13	IMPELLER	1		005199	005199	005199	005199	005199	005199	005199	005199		
14	BASE, PLASTIC	1		002580	002580	002580	002580	002580	002580	002580	002580		
15	COVER, HANDLE	1		034090	034090	034090	034090	034090	034090	034090	034090		
16	PLUG,TEST-WHITE	2		003402	003402	003402	003402	003402	003402	003402	003402		
17	SEAL THRU WALL TERM	2		004712	004712	004712	004712	004712	004712	004712	004712		
18	HOUSING,MTR	1		007642	007642	007642	007642	007642	007642	007642	007642		
19	CAPACITOR	1		001885	001885	001885	001885	001885	001885	001885	001885		
20	SCREW,#10-24 X.75 RHM-SL	8		005326	005326	005326	005326	005326	005326	005326	005326		
21	SCREW,#10-10X1-UNSLD HE	10		001914	150099	001914	150099	001914	150099	001914	150099		
22	SCREW,#8-32 X 2.563 RHPL	2		001877	001877	001877	001877	001877	001877	001877	001877		
23	SCREW,#6-32X.25 RHM SL TC	1		005701	005701	005701	005701	005701	005701	005701	005701		
24	O-RING	1		011515	011515	011515	011515	011515	011515	011515	011515		
25	REBUILD KIT "264"	1											

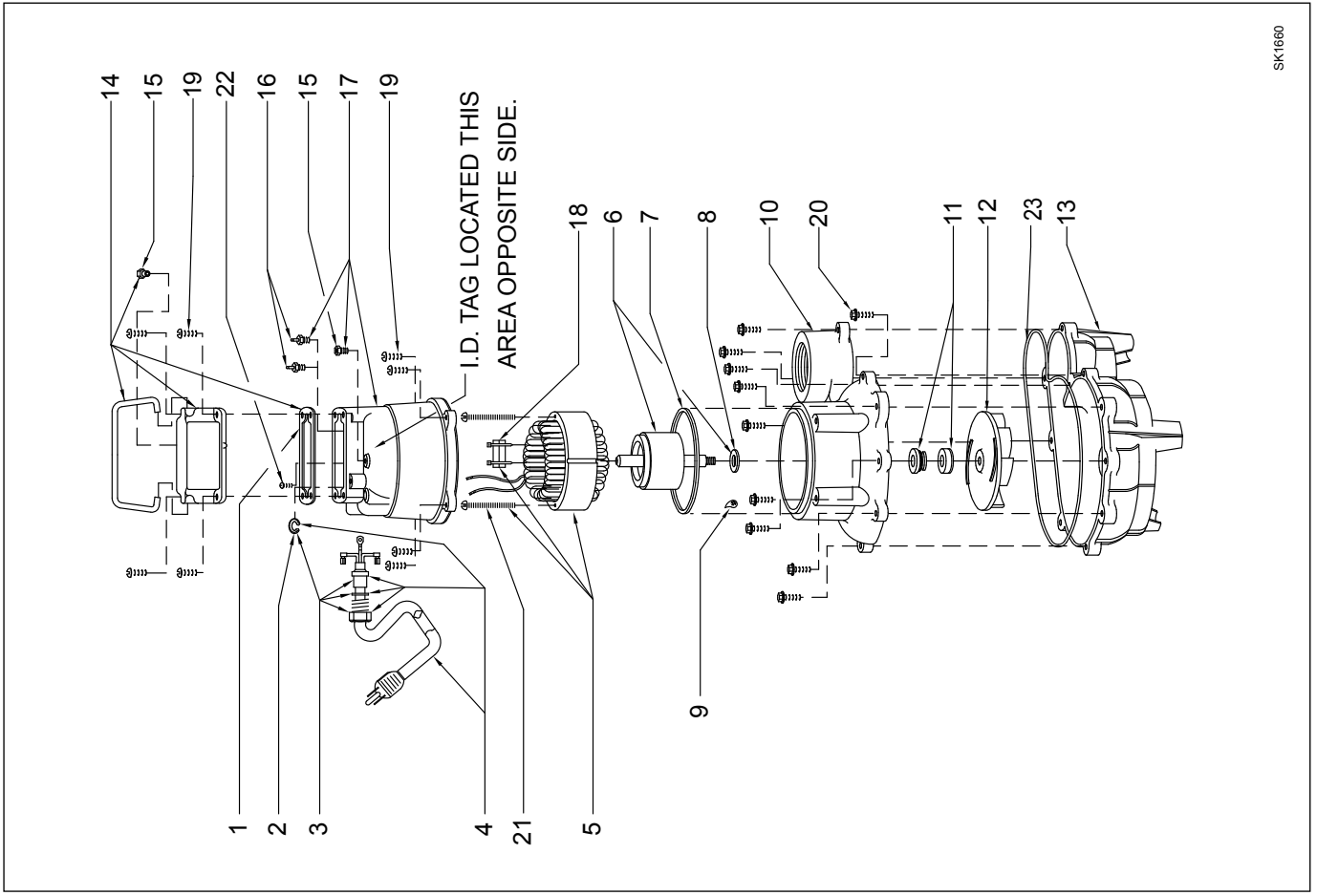
▪ Items included in Rebuild Kit.

▪ Not Shown in Illustration.

NOTES:

- 1) If an "X" follows Model No., of Date Mfg. on brass ID tag, consult factory for ordering of this part.
- 2) See FM0160 Parts Price Sheet for listing of parts prices.
- 3) Kits are supplied with two different size screws for mounting stators. During assembly verify length and ensure the screws are seated properly.

REPLACEMENT PARTS ILLUSTRATION FOR MODELS "N264" and "E264"



REPLACEMENT PARTS LIST FOR MODELS "WM264"

REPLACEMENT PARTS ILLUSTRATION FOR MODEL "WM264"

REF. NO.	DESCRIPTION	MODELS: WM264-A		QTY	NOTES	WM264-B	
		6/96 thru 7/09	9/08 thru Current				
1	GASKET, CASE/COVER	034046	034046	1			
2	CLAMP, STRAIN RELIEF	001770	N/A	1			
3	COVER & HANDLE	002580	002580	1			
4	PLUG, TEST-WHITE	034090	034090	1			
5	SCREW,#10-24 X.75 RHM-SL	001885	001885	8			
6	SCREW,#6-32X.25 RHM SL TC	001877	001877	1			
7	SEAL, THRU WALL TERM'R	003402	003402	2			
8	HOUSING,MTR-& TERM,ASM.	004712	004712	1			
9	SCREW,#8-32 X 2.563 RHPL	001914	150099	2	3		
10	STATOR W/SCREWS 115V/1PH (HPIC OR TPIC)	012084	012084	1	3		
11	STATOR W/SCREWS 115V/1PH (GE)	010271	010271	1	3		
12	BASE,PLASTIC	005199	005199	1			
13	IMPELLER	002570	002570	1			
14	SEAL,ASM,SHAFT-BLISTER PK	267027	267027	1			
15	HOUSING,PUMP-MACH "264"	010718	010718	1			
16	SCREW,#10-10X1-UNSLTD HE	005326	005326	10			
17	WASHER,TRST-NYL .875X.504	002140	002140	1			
18	SEAL,MTR HSG	034007	034007	1			
19	ROTOR ASM 115V 1PH (HPIC OR TPIC)	012085	012085	1			
20	ROTOR ASM 115/230V 1PH (GE)	010270	010270	1			
21	OIL,DIELECTRIC-(30.5 OZ)	007051	007051	1			
22	FLOAT ROD STOP-MECH SWIT	009120	009120	2			
23	FLOAT,MECH SWITCH	009119	009119	1			
24	ROD,FLOAT-VERT SWITCH	010499	010499	1			
25	FLOAT ROD RETAINING PIN	009121	009121	1			
26	HARDWARE PACK, VERT SW	010532	010532	1			
27	SEAL,CORD-ASM "WM264/1264"	011562	011562	1			
28	SWITCH & CORD,SEAL,ASM WM264	011563	011563	1			
29	CAPACITOR	007642	007642	1			
30	O-RING	005701	005701	1			
31	REBUILD KIT "WM264/WM1264"	011514	011514	1			

• Items included in Rebuild Kit. □ Not Shown in Illustration.

NOTES:

- 1) If an "X" follows Model No., of Date Mfg. on brass ID tag, consult factory for ordering of this part.
- 2) See FM0160 Parts Price Sheet for listing of parts prices.
- 3) Kits are supplied with two different size screws for mounting stators. During assembly verify length and ensure the screws are seated properly.

