

Product information presented here reflects conditions at time of publication. Consult factory regarding discrepancies or inconsistencies.

**PUMP COMPANY**

Zoeller Family of Water Solutions™

MAIL TO: P.O. BOX 16347 • Louisville, KY 40256-0347  
 SHIP TO: 3649 Cane Run Road • Louisville, KY 40211-1961  
 (502) 778-2731 • 1 (800) 928-PUMP • FAX (502) 774-3624

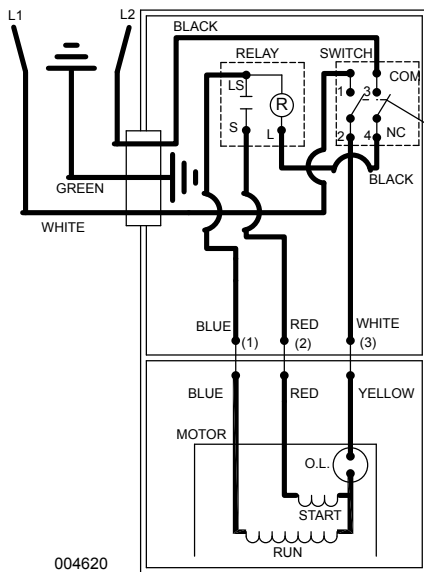
visit our web site:  
[www.zoeller.com](http://www.zoeller.com)

**REPLACEMENT PARTS LIST FOR MODELS:**  
**H267 AUTOMATIC 200V/1PH**  
**I267 NONAUTOMATIC 200V/1PH**  
**J267 NONAUTOMATIC 200V/3PH**  
**F267 NONAUTOMATIC 230V/3PH**  
**G267 NONAUTOMATIC 460V/3PH**

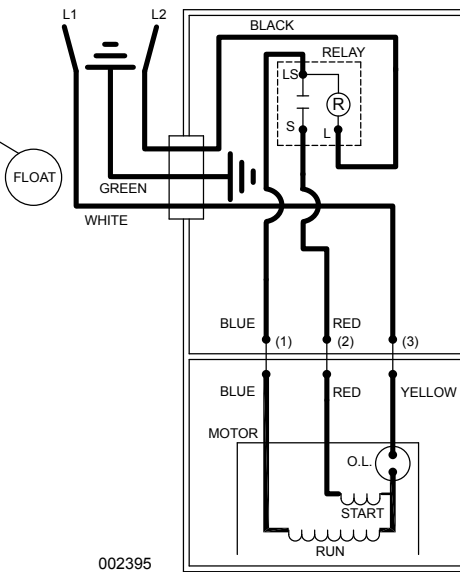
Consult factory for all other models

**TO ORDER REPLACEMENT PARTS:**  
 PLEASE FURNISH THE FOLLOWING INFORMATION:

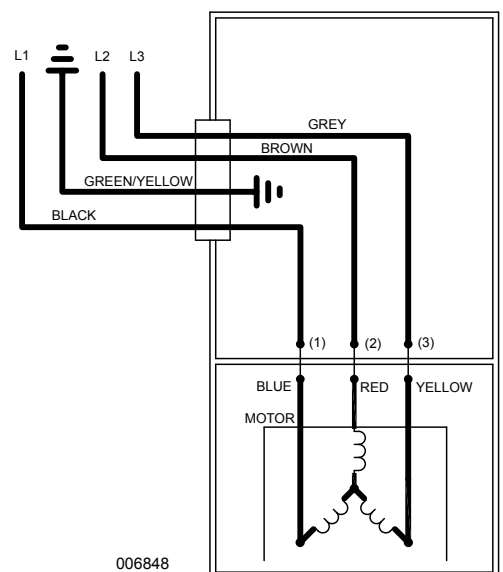
- Model Number.
- Part Number of Pump.
- Part Number and Description of part.



WIRING DIAGRAM FOR MODELS  
 "H267-E" and "H267-F"  
 5/90 thru Current



WIRING DIAGRAM FOR MODEL  
 "I267-E" and "I267-F"  
 5/90 thru Current



WIRING DIAGRAM FOR MODELS  
 "F267-E", "G267-F" and "J267-E"  
 10/92 thru Current

**REPLACEMENT PARTS LIST FOR MODEL "H267"**

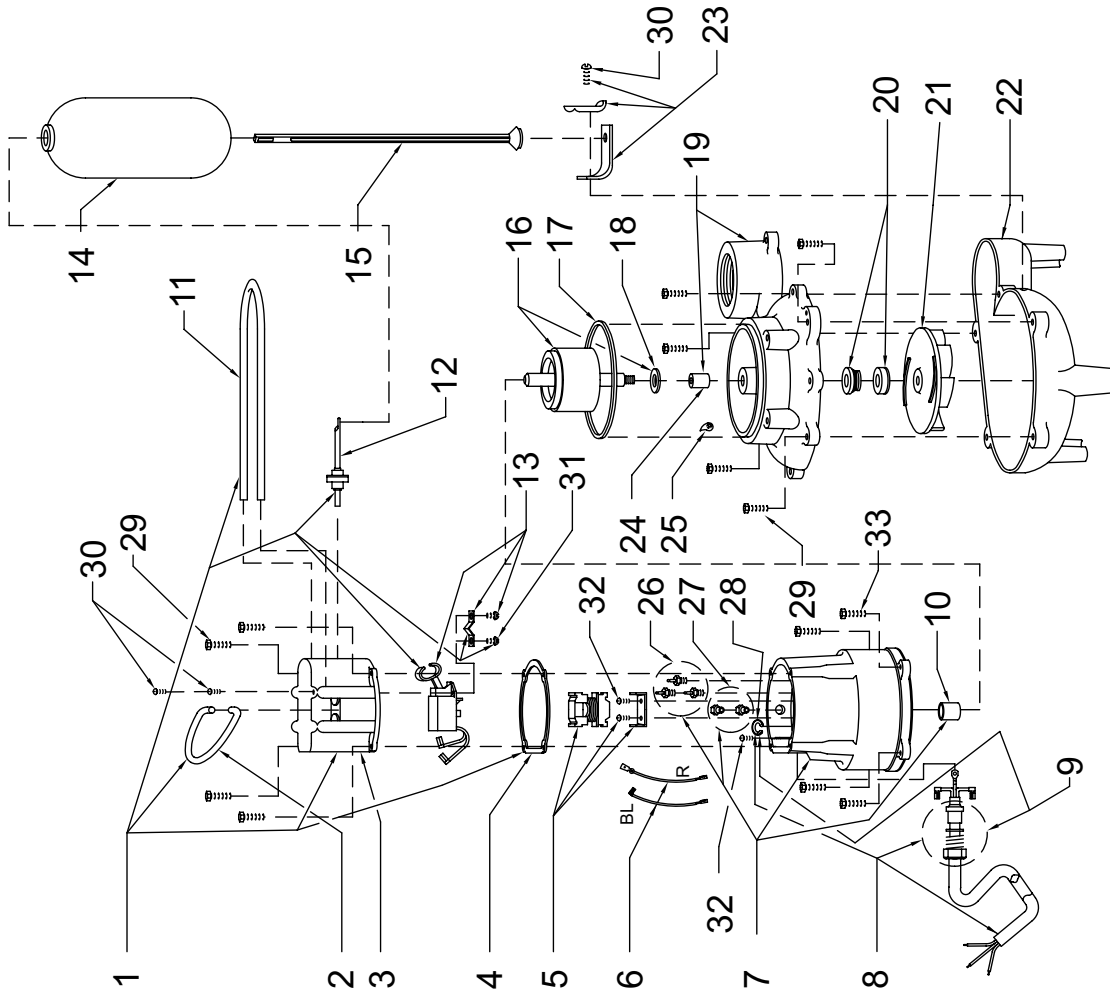
**REPLACEMENT PARTS ILLUSTRATION FOR MODELS "H267"**

REF. NO.	DESCRIPTION	MODEL: H267-E		QTY	NOTES	H267-F	
		590 thru 992	1092 thru Current			1092 thru Current	004739
1	Case & Switch Asm	004739	004739	1		004739	004739
2	• Handle	267032	267032	1		267032	267032
3	Case-Mach	004610	004610	1		004610	004610
4	• Gasket, Case/Cover	267007	267007	1		267007	267007
5	Relay Asm	001536	001536	1		001536	001536
6	• Wire Plg (2) Wires	267014	267014	1		267014	267014
7	Housing, Mtr & Str	003781	003781	1	1 & 2	003781	003781
8	Cord Term & Seal Asm	006930	006930	1		006930	006930
9	• Seal, Cord-Asm & Strain Relief	011626	011626	1		011626	011626
10	Bearing, Upper Rotor	N/A	N/A	1		N/A	N/A
11	• Guard	267008	267008	1		267008	267008
12	• Arm & Seal Asm	004741	004741	1		004741	004741
13	Switch Asm	004740	004740	1		004740	004740
14	Float, Polypropylene	034019	034019	1		034019	034019
15	Rod, Float-Molded	001526	001526	1		001526	001526
16	Rotor Asm	267005	267005	1	2	267005	267005
17	• Seal, Mtr Hsg	267006	267006	1		267006	267006
18	• Washer, Trst-Nyl, 875X.504X.050"	002140	002140	1		002140	002140
19	Housing, Pump-Mach	003877	003877	1		003877	003877
20	• Seal Asm, Shaft	267027	267027	1		267027	267027
21	Impeller "267"	003884	150857	1		003884	150857
22	Base-Mach	008646	008646	1		008646	008646
23	Guide Asm, Float Rod	004676	004676	1		004676	004676
24	Bearing, Lower Rotor	N/A	N/A	1		N/A	N/A
25	• Oil, Dielectric, (24.5 oz)	267056	267056	1		267056	267056
26	• Plug, Thru Wall Term	003402	003402	3		003402	003402
27	• Plug, Test-White	034090	034090	2		034090	034090
28	• Clamp, Strain Relief	001770	001770	1		001770	001770
29	• Screw, .25-20X.75 HHM-SS	001916	001916	9		001916	001916
30	• Screw, #10-24X.37RHIM-SL SS	001883	001883	3		001883	001883
31	• Screw, #6-32X.438RH PH TP PE 23	004644	004644	2		004644	004644
32	• Screw, #6-32X.25RHIM SLTC STLGR	001877	001877	3		001877	001877
33	• Screw, #10-10X1-UNSLTD HEXWash	012491	012491	4		012491	012491
□	Rebuild Kit	004743	004743	1		004743	004743

• Items included in Rebuild Kit □ Not shown in illustration.

**NOTES:**

- 1) Motor housing, bearing, stator & terminal are preassembled at the factory and must be replaced as a unit. Stator is permanently attached to motor housing. Plug, test-white and seal, thru wall terminal are replaceable.
- 2) When ordering motor housing, bearing, stator and terminal, or rotor and bearing, specify either GE or Emerson motor.
- 3) See FIM0160 parts price sheet for listing of parts prices.



**REPLACEMENT PARTS LIST FOR MODEL "I267"**

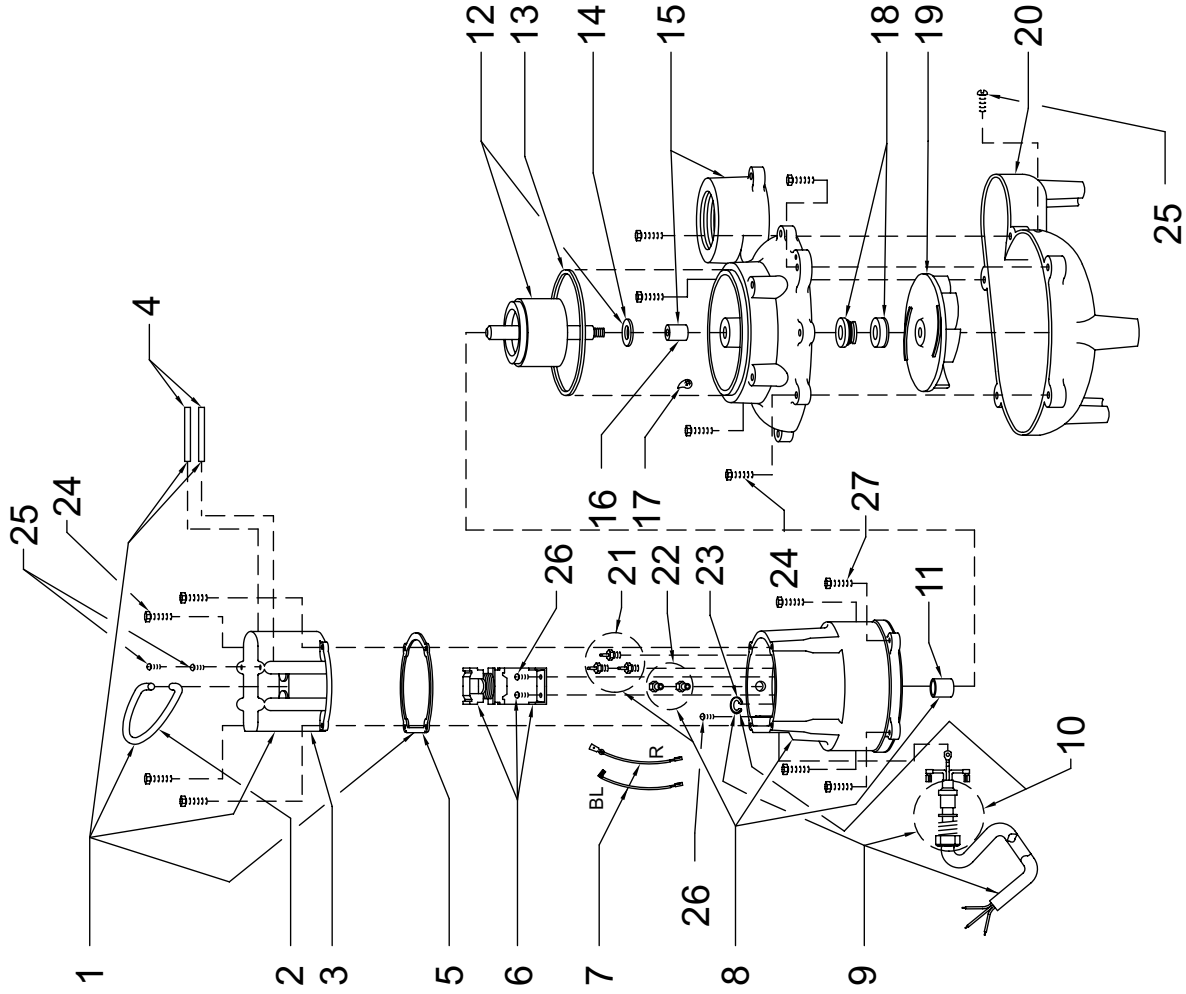
**REPLACEMENT PARTS ILLUSTRATION FOR MODELS "I267"**

REF. NO.	DESCRIPTION	MODEL: I267-E		I267-F	
		QTY	NOTES	5/90 thru 9/92	10/92 thru Current
1	Cover & Handle Asm	1		267051	267051
2	• Handle	1		267032	267032
3	Cover-Mach	1		267052	267052
4	Retainer, HDL-NA	1		267053	267053
5	• Gasket, Case/Cover	1		267007	267007
6	Relay Asm	1		001536	001536
7	• Wire Pkg (2) Wires	1		267014	267014
8	Housing, Mtr & Str	1	1 & 2	003781	003781
9	Cord Term & Seal Asm	1		007071	007071
10	• Seal, Cord-Asm & Strain Relief	1		011626	011626
11	Bearing, Upper Rotor	1		N/A	N/A
12	Rotor Asm	1	2	267005	267005
13	• Seal, Mtr Hsg	1		267006	267006
14	• Washer, Trst-Nl, 875X.504X.050"	1		002140	002140
15	Housing, Pump-Mach	1		003877	003877
16	• Bearing, Lower Rotor	1		N/A	N/A
17	• Oil, Dielectric (24.5 oz)	1		267056	267056
18	• Seal Asm, Shaft	1		267027	267027
19	Impeller "267"	1		003884	150857
20	Base-Mach	1		008646	008646
21	• Seal, Thru Wall Term	3		003402	003402
22	• Plug, Test-White	2		034090	034090
23	• Clamp, Strain Relief	1		001770	001770
24	• Screw, .25-20X.75 HHM-SS	9		001916	001916
25	• Screw, #10-24X.37RHM-SL SS	3		001833	001833
26	• Screw, #6-32X.25RHM-SLTC-STLGR	3		001877	001877
27	• Screw, .25-20X.875 LG PH SS	4		012491	012491
□	Rebuild Kit	1		004743	004743

□ Items included in Rebuild Kit. □ Not shown in illustration.

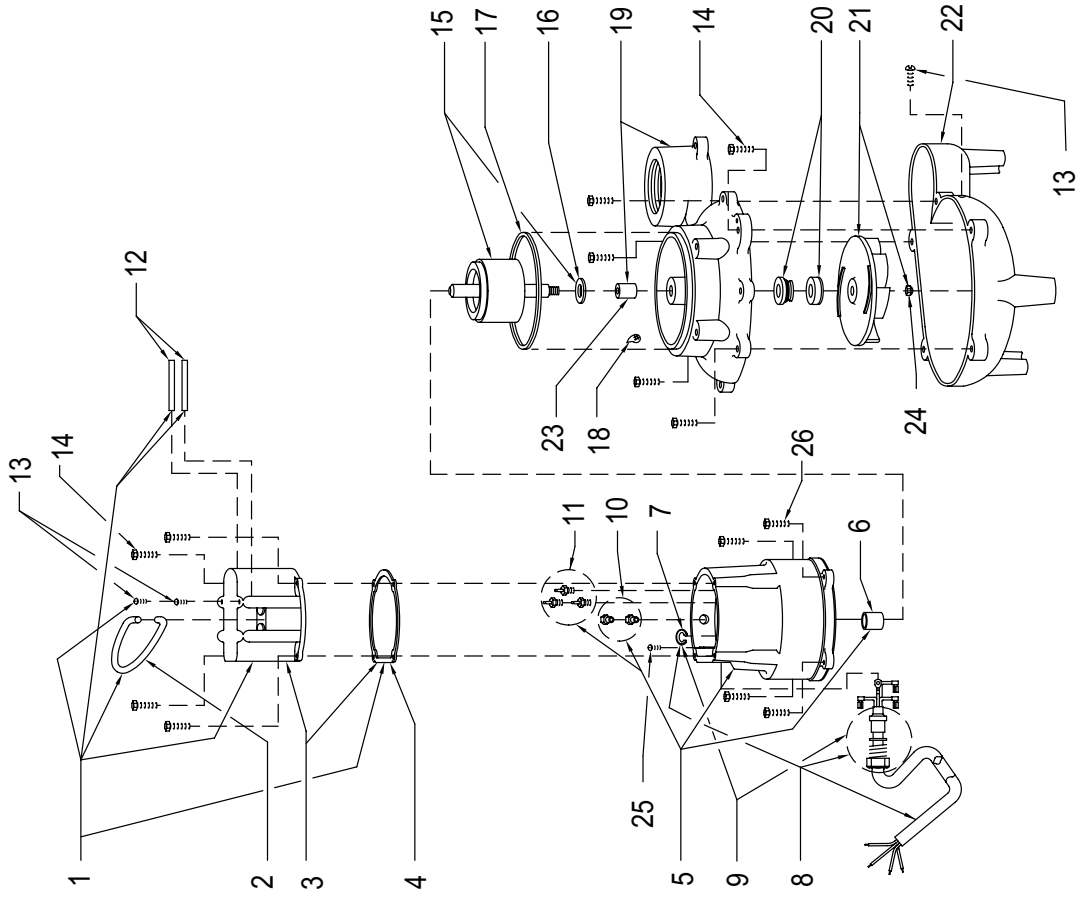
**NOTES:**

- 1) Motor housing, bearing, stator & terminal are preassembled at the factory and must be replaced as a unit. Stator is permanently attached to motor housing. Plug, test-white and seal, thru wall terminal are replaceable.
- 2) When ordering motor housing, bearing, stator and terminal, or rotor and bearing, specify either GE or Emerson motor.
- 3) See FM0160 parts price sheet for listing of parts prices.



**REPLACEMENT PARTS LIST FOR MODEL "F267", "G267" & "J267"**

**REPLACEMENT PARTS ILLUSTRATION FOR MODELS "F, G & J267"**



REF. NO.	DESCRIPTION	MODELS: F267-E			G267-F			J267-E		
		QTY	NOTES	10/92 thru Current	QTY	NOTES	10/92 thru Current	QTY	NOTES	10/92 thru Current
1	Cover & Handle Asm	1		267051		267051		267051		267051
2	• Handle	1		267032		267032		267032		267032
3	Cover-Mach	1		267052		267052		267052		267052
4	Gasket, Case/Cover	1		267007		267007		267007		267007
5	Housing, Mtr & Str	1	1 & 2	004966		009510		009510		009511
6	Seal, O-ring	1		005701		005701		005701		005701
7	• Clamp, Strain Relief	1		001770		001770		001770		001770
8	• Cordage Term & Seal	1		003761		003761		003761		003761
9	• Seal, Cord-Asm & Strain Relief	1		094032		094032		094032		094032
10	• Plug, Test-White	2		034090		034090		034090		034090
11	• Seal, Thru Wall Term	3		003402		003402		003402		003402
12	Retainer, HDL-NA	2		267053		267053		267053		267053
13	• Screw, #10-24X.375 RHIM-SS	3		001883		001883		001883		001883
14	• Screw, .25-20X.75 HHM-SS	9		001916		001916		001916		001916
15	Rotor Asm	1	2	009506		009506		009506		009506
16	• Washer, Trst-NY, .875X.50X.050"	1		002140		002140		002140		002140
17	• Seal, Mtr Hsg	1		267006		267006		267006		267006
18	• Oil, Dielectric (24.5 oz)	1		267056		267056		267056		267056
19	Housing, Pump-Mach	1		003877		003877		003877		003877
20	• Seal Asm, Shaft	1		267027		267027		267027		267027
21	Impeller "267"	1		009884		009884		009884		009884
22	Base-Mach	1		008646		008646		008646		008646
23	Bearing, Lower Rotor	1		N/A		N/A		N/A		N/A
24	Nut 5/16-24 Acorn	1		004348		004348		004348		004348
25	• Screw, #6-32X.25RHIM SL TC STLGR	3		001877		001877		001877		001877
26	• Screw, .25-20X.875 LG HH SS	4		012491		012491		012491		012491
□	Rebuild Kit	1		004743		004743		004743		004743

□ Items included in Rebuild Kit. □ Not shown in illustration.

**NOTES:**

- 1) Motor housing, bearing, stator & terminal are preassembled at the factory and must be replaced as a unit. Stator is permanently attached to motor housing. Plug, test-white and seal, thru wall terminal are replaceable.
- 2) When ordering motor housing, bearing, stator and terminal, or rotor and bearing, specify either GE or Emerson motor.
- 3) See FM0160 parts price sheet for listing of parts prices.